



DATA SHEET



EX1200-4265

DUAL 2X32, 2-WIRE, 300 V/2 A MATRIX WITH BYPASS FOR CABLE HARNESS TESTING

FEATURES

Configure as (2x64) under program control

Bypass configuration makes this ideal for cable harness testing

Switch up to 300 V, 2A - highest at this density in its class

Extensive signal shielding employed on PCBs for excellent signal fidelity

Columns can be connected to the EX1200's analog backplane and can use the internal DMM

EX1200 series can support 2 x 348, two-wire configurations in a 1U full rack mainframe



949-955-1894

www.vtiinstruments.com

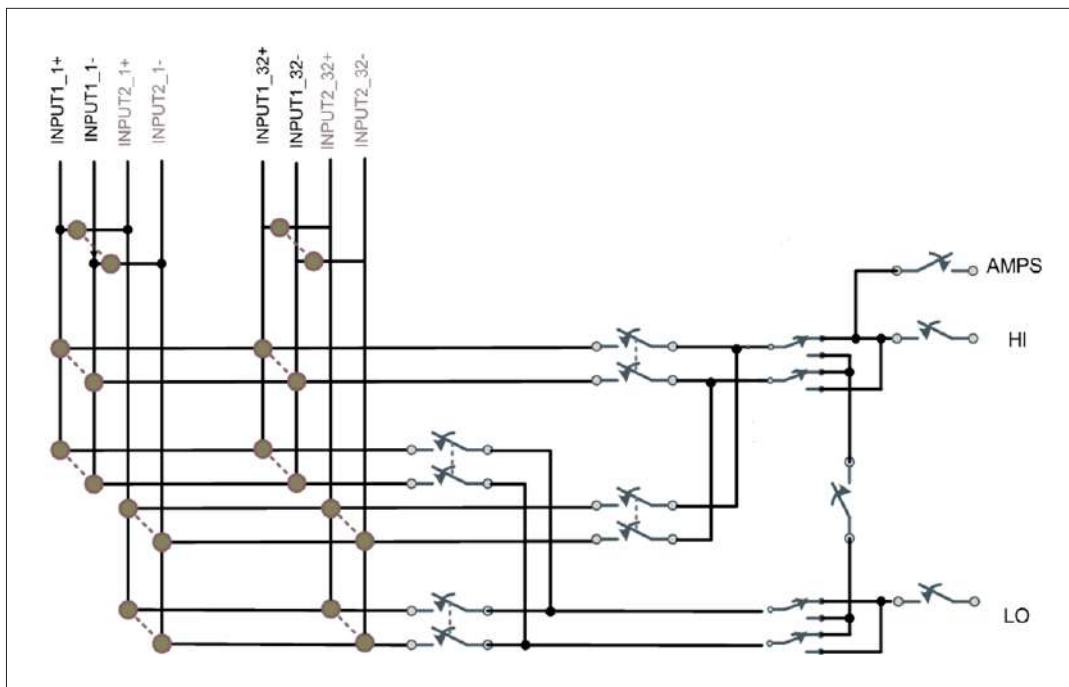
RELIABLE DATA FIRST TIME EVERY TIME

OVERVIEW

The EX1200-4265 is a high-density matrix module which allows the user to connect any input row to any output column with a DPST relay at every row/column crosspoint. This architecture provides the framework for flexible switch system designs where multiple test instruments need to be connected to common test points. It includes a bypass circuit which allows crossover connections that make this very ideal for cable test and characterization applications.

Using this switch card along with necessary measurement instruments, users will be able to characterize cable voltage drop, timing (rise time, fall time), noise (differential, common mode, ground noise) as well as impedance, isolation and continuity, not just specific pin to pin, but any pin to any pin.

Relays capable of switching up to 300 V and up to 2 A are used to maximize the range of application spaces that can be addressed with this module.



General Specifications

RELAY TYPE	Electromechanical, fail-safe
CONFIGURATIONS	Dual 2 x 32 two wire, single 2 x 64 two wire
MAXIMUM SWITCHING VOLTAGE	300 V AC, 300 V DC
MAXIMUM SWITCHING CURRENT	2 A
MAXIMUM SWITCHING POWER	60 W DC, 62.5 VA
PATH RESISTANCE	< 500 mΩ
INSULATION RESISTANCE	> 1 x 10 ⁹
MAXIMUM THERMAL OFFSET	< 10 μV
BANDWIDTH (-3 DB)	45 MHz typical
CAPACITANCE	
OPEN CHANNEL	< 50 pF
CHANNEL-MAINFRAME	< 80 pF
HIGH-LOW	< 50 pF
CROSSTALK	
1 MHZ	<-70 dB
10 MHZ	<-50 dB
ISOLATION	
1 MHZ	<-60 dBB
10 MHZ	<-50 dB
RATED SWITCH OPERATIONS	
MECHANICAL	1 x 10 ⁷
ELECTRICAL	5 x 10 ⁵ at full load
SWITCHING TIME	< 10 ms
CONNECTOR-TYPE	160-pin DIN

Ordering Information

EX1200-4265	Dual 2x32 Two-wire, 300 V/2 A Matrix with Bypass
ACCESSORIES AND TOOLS	
70-0363-504	160-pin DIN, Strain relief bracket, includes connector, EX1200 (recommended accessory)
70-0363-503	160-pin DIN, Strain relief kit (without connector), EX1200
52-0109-000	160-pin DIN, 100 Crimp pins
27-0088-160	160-pin DIN Mating connector (one per board)
46-0010-000	160-pin DIN Crimp tool
46-0011-000	160-pin DIN Extraction tool
70-0363-505	160-pin, unterminated cable assembly, 3 ft, EX1200