
PXle-1073 Specifications

2023-09-13



Contents

PXIe-1073 Specifications..... 3

PXIe-1073 Specifications

This document contains specifications for the PXIe-1073 chassis.



Caution Specifications are subject to change without notice.

Electrical

The following section provides information about the PXIe-1073 AC input and DC output.

AC Input

| | |
|---------------------------|---|
| Input voltage range | 100 to 240 VAC |
| Operating voltage range | 90 to 264 VAC |
| Input current rating | 4 to 2 A |
| Input frequency | 50/60 Hz |
| Operating frequency range | 47 to 63 Hz |
| Line regulation | |
| 3.3 V | <±0.2% |
| 5 V | <±0.1% |
| ±12 V | <±0.1% |
| Efficiency | >70% at full load, normal input voltage |

| | |
|------------------|--|
| Power disconnect | The AC power cable provides main power disconnect. The front-panel power switch controls the internal chassis power supply that provides DC power to the CompactPCI/PXI backplane. |
|------------------|--|

DC Output

Table 1. DC current capacity (I_{mp})

| Voltage | Maximum Current |
|-------------------------|--|
| +3.3 V | 15 A |
| +5 V | 7.5 A |
| +12 V | 15 A |
| -12 V | 0.75 A |
| +5 V _{AUX} | 1.0 A |
| Over-current protection | All outputs protected from short circuit |

Table 2. Over-voltage Protection

| Over-voltage at | Minimum (Active Range) | Maximum (Active Range) |
|-----------------|------------------------|------------------------|
| +3.3 V | 3.76 V | 4.3 V |
| +5 V | 5.74 V | 7.0 V |
| +12 V | 13.4 V | 15.6 V |

Chassis Cooling

| | |
|---------------------------|--|
| Per slot cooling capacity | 38.25 W |
| Module cooling system | Forced air circulation (positive pressurization) through a 126 CFM fan with High/Auto speed selector |

| | |
|------------------------------|---|
| Slot airflow direction | Bottom of module to top of module |
| Module cooling intake | Bottom of chassis |
| Module cooling exhaust | Along rear, right side, and top of chassis |
| Power supply cooling system | Forced air circulation through integrated fan |
| Power supply cooling intake | Front side of chassis |
| Power supply cooling exhaust | Rear side of chassis |

Environmental

| | |
|----------------------|---------------------------------------|
| Maximum altitude | 2,000 m (800 mbar) (at 25 °C ambient) |
| Measurement Category | II |
| Pollution Degree | 2 |

Indoor use only.

Operating Environment

| | |
|---------------------------|--|
| Ambient temperature range | 0 °C to 50 °C (Tested in accordance with IEC-60068-2-1 and IEC-60068-2-2. Meets MIL-PRF-28800F Class 3 low temperature limit and MIL-PRF-28800F Class 2 high temperature limit.) |
| Relative humidity range | 20% to 80%, noncondensing (Tested in accordance with IEC-60068-2-56.) |

Storage Environment

| | |
|---------------------------|---|
| Ambient temperature range | -40 °C to 71 °C (Tested in accordance with IEC-60068-2-1 and IEC-60068-2-2. Meets MIL-PRF-28800F Class 3 limits.) |
| Relative humidity range | 10% to 95%, noncondensing (Tested in accordance with IEC-60068-2-56.) |

Shock and Vibration

| | |
|-------------------------|--|
| Operational shock | 30 g peak, half-sine, 11 ms pulse (Tested in accordance with IEC-60068-2-27. Meets MIL-PRF-28800F Class 2 limits.) |
| Random Vibration | |
| Operating | 5 to 500 Hz, 0.3 g _{rms} |
| Nonoperating | 5 to 500 Hz, 2.4 g _{rms} (Tested in accordance with IEC-60068-2-64. Nonoperating test profile exceeds the requirements of MIL-PRF-28800F, Class 3.) |

Sound Pressure Level (at Operator Position)

(Tested in accordance with ISO 7779. Meets MIL-PRF-28800F requirements.)

| | |
|---------------------------------|----------|
| Auto fan (up to ~25 °C ambient) | 43.3 dBA |
| High fan | 58.3 dBA |

Sound Power

| | |
|---------------------------------|----------|
| Auto fan (up to ~25 °C ambient) | 51.3 dBA |
| High fan | 64.6 dBA |

Safety Compliance Standards

This product is designed to meet the requirements of the following electrical equipment safety standards for measurement, control, and laboratory use:

- IEC 61010-1, EN 61010-1
- UL 61010-1, CSA C22.2 No. 61010-1



Note For safety certifications, refer to the product label or the [Product Certifications and Declarations](#) section.

Electromagnetic Compatibility

This product meets the requirements of the following EMC standards for electrical equipment for measurement, control, and laboratory use:

- EN 61326 (IEC 61326): Class A emissions; Basic immunity
- EN 55011 (CISPR 11): Group 1, Class A emissions
- AS/NZS CISPR 11: Group 1, Class A emissions
- FCC 47 CFR Part 15B: Class A emissions
- ICES-001: Class A emissions



Note For the standards applied to assess the EMC of this product, refer to the **Online Product Certification** section.



Note For EMC compliance, operate this device with shielded cabling.

CE Compliance

This product meets the essential requirements of applicable European Directives, as follows:

- 2014/35/EU; Low-Voltage Directive (safety)
- 2014/30/EU; Electromagnetic Compatibility Directive (EMC)
- 2011/65/EU; Restriction of Hazardous Substances (RoHS)
- 2014/53/EU; Radio Equipment Directive (RED)
- 2014/34/EU; Potentially Explosive Atmospheres (ATEX)

Product Certifications and Declarations

Refer to the product Declaration of Conformity (DoC) for additional regulatory compliance information. To obtain product certifications and the DoC for NI products, visit ni.com/product-certifications, search by model number, and click the appropriate link.

Environmental Management

NI is committed to designing and manufacturing products in an environmentally responsible manner. NI recognizes that eliminating certain hazardous substances from our products is beneficial to the environment and to NI customers.

For additional environmental information, refer to the **Engineering a Healthy Planet** web page at ni.com/environment. This page contains the environmental regulations and directives with which NI complies, as well as other environmental information not included in this document.

EU and UK Customers

-  **Waste Electrical and Electronic Equipment (WEEE)**—At the end of the product life cycle, all NI products must be disposed of according to local laws

and regulations. For more information about how to recycle NI products in your region, visit ni.com/environment/weee.

电子信息产品污染控制管理办法（中国 RoHS）

-  中国 RoHS— NI 符合中国电子信息产品中限制使用某些有害物质指令(RoHS)。关于 NI 中国 RoHS 合规性信息，请登录 ni.com/environment/rohs_china。(For information about China RoHS compliance, go to ni.com/environment/rohs_china.)

Backplane

| | |
|-------------------------------|--|
| Size | 3U-sized; one system slot (with three system expansion slots) and 5 peripheral slots. Compliant with IEEE 1101.10 mechanical packaging. PXI Express Specification compliant. Accepts both PXI Express and CompactPCI (PICMG 2.0 R 3.0) 3U modules. |
| V (I/O) | +5 |
| Backplane bare-board material | UL 94 V-0 Recognized |
| Backplane connectors | Conforms to IEC 917 and IEC 1076-4-101, UL 94 V-0 rated |

System Synchronization Clocks (PXI_CLK10, PXIe_CLK100, PXIe_SYNC100)

10 MHz System Reference Clock: PXI_CLK10

| | |
|---------------------------|--------|
| Maximum slot-to-slot skew | 250 ps |
|---------------------------|--------|

| | |
|----------|--|
| Accuracy | ± 25 ppm max (guaranteed over the operating temperature range) |
|----------|--|



Note The 10 MHz system reference clock does not require calibration.

| | |
|-----------------------|---|
| Maximum jitter | 5 ps RMS phase-jitter (10 Hz–1 MHz range) |
| Duty-factor | 45% to 55% |
| Unloaded signal swing | 3.3 V \pm 0.3 V |

100 MHz System Reference Clock: PXIe_CLK100 and PXIe_SYNC100

| | |
|--|--|
| Maximum slot-to-slot skew | 100 ps |
| Accuracy | ± 25 ppm max (guaranteed over the operating temperature range) |
| Maximum jitter | 3 ps RMS phase-jitter (10 Hz to 12 kHz range), 2 ps RMS phase-jitter (12 kHz to 20 MHz range) |
| Duty-factor for PXIe_CLK100 | 45% to 55% |
| Absolute differential voltage (When terminated with a 50 Ω load to 1.30 V or Thévenin equivalent) | 400 to 1000 mV |



Note For other specifications, refer to the **PXI-5 PXI Express Hardware Specification**

Mechanical

| Standard chassis dimensions | |
|------------------------------------|---|
| Height | 6.97 in. (177 mm) |
| Width | 10.12 in. (257.1 mm) |
| Depth | 8.38 in. (212.8 mm) |
| Weight | 11.0 lb (5.0 kg) |
| Chassis materials | Sheet Aluminum, Extruded Aluminum, Cold Rolled Steel, Nylon |
| Finish | Clear Chromate Conversion Coat on Aluminum Electrodeposited Nickel Plate Plate on Cold Rolled Steel Polyester Urethane Powder Paint |

The following figures show the PXIe-1073 chassis dimensions. The holes shown are for the installation of the optional rack mount kits. You can install those kits on the front or rear of the chassis, depending on which end of the chassis you want to face toward the front of the instrument cabinet. Notice that the front and rear chassis mounting holes (size M4) are symmetrical.

Figure 1. PXIe-1073 Chassis Dimensions (Bottom)

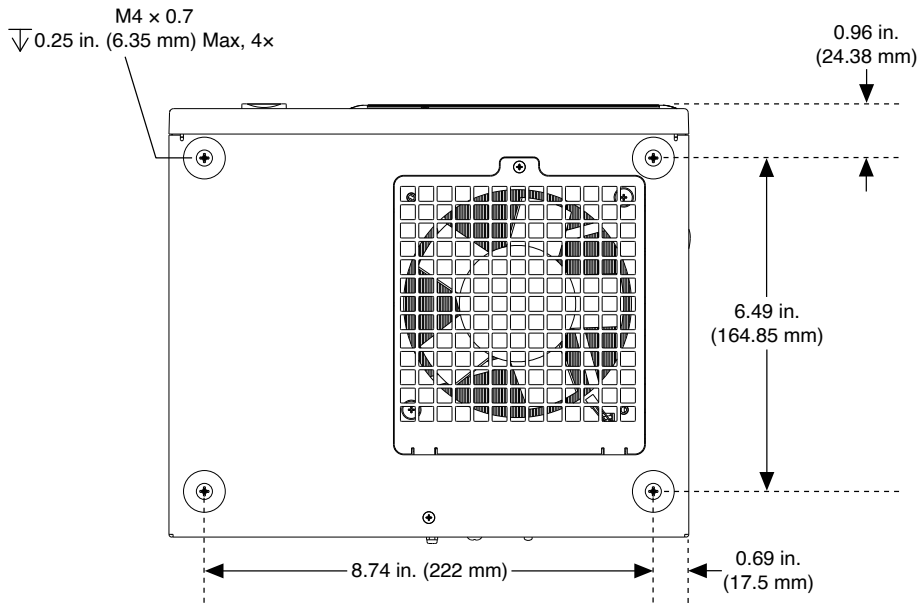
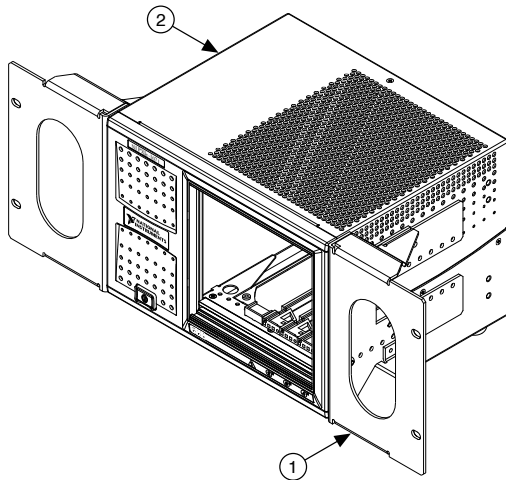


Figure 3. NI Chassis Rack Mount Kit Components



1. Front Rack Mount Kit
2. PXIe-1073 Chassis