

8

7

6

5

4

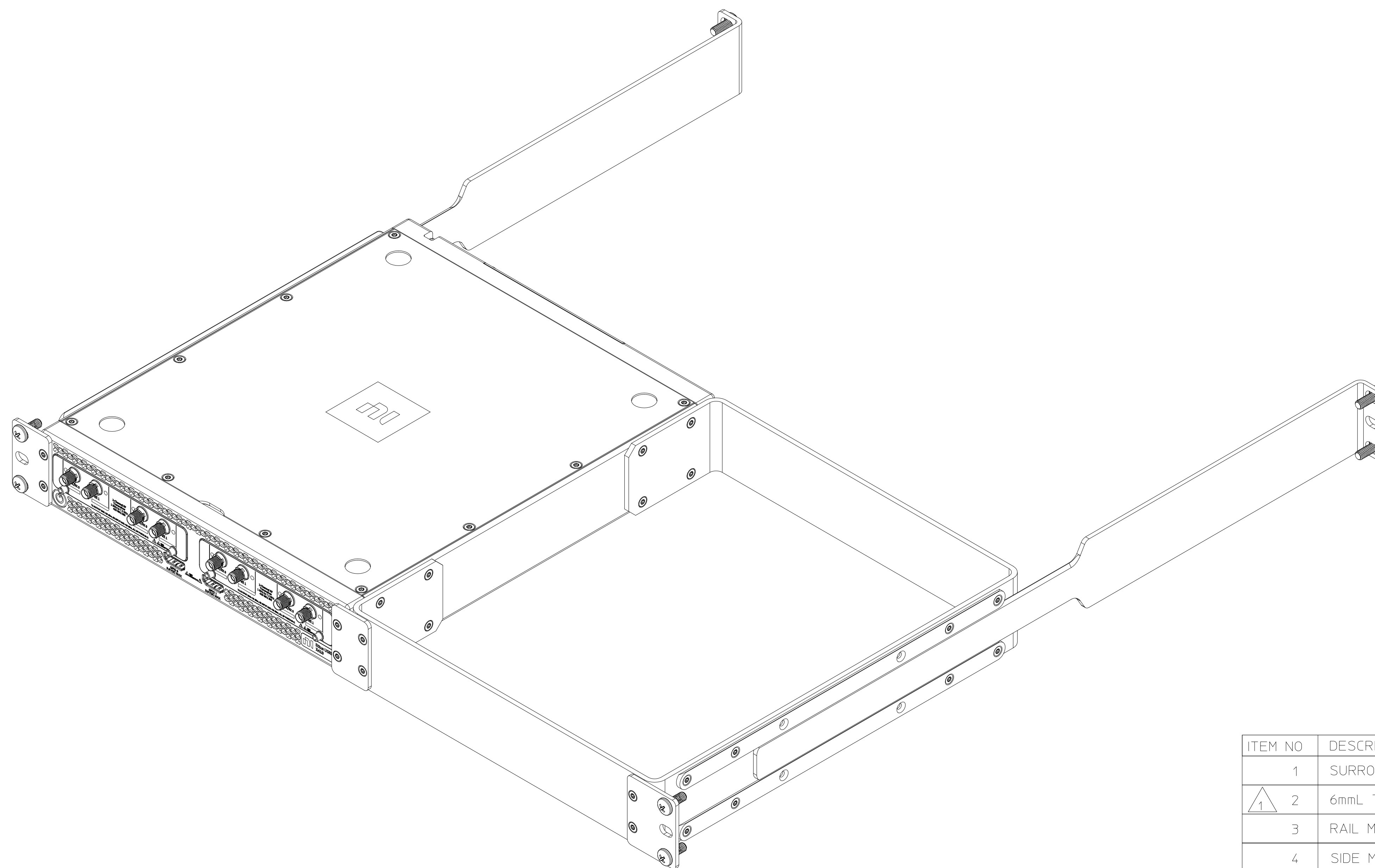
3

2

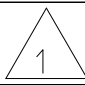
1

© COPYRIGHT 2021, 2022
NATIONAL INSTRUMENTS CORPORATION. ALL RIGHTS RESERVED.

REVISION HISTORY IS CONTROLLED IN AN ELECTRONIC DATABASE.
CONTACT NI FOR REVISION DETAILS IF NEEDED.



RIGHT-SIDED SURROGATE FRAME MOUNTING SHOWN.
OPTIONAL LEFT-SIDED SURROGATE FRAME MOUNTING (NOT SHOWN) SUITABLE AS WELL.

ITEM NO	DESCRIPTION
1	SURROGATE FRAME
 2	6mmL T-10 TORX FLATHEAD SCREWS
3	RAIL MOUNT
4	SIDE MOUNT
5	SURROGATE ADJOINING FRONT BRACKET
6	SURROGATE SIDE MOUNT
7	LONG SLIDE ARM
8	#10-32 X 1/2" RACK SCREW

2. USRP X4XX RACK MOUNT PLATFORM ACCESSORY SUPPORTS RACK DEPTH EXPANSION OF: 18 - 25 INCHES [45.7 - 63.5 CENTIMETERS].

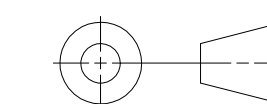
 FLATHEAD SCREWS (ITEM 2) SHALL BE TORQUED TO 6.7 in-lb (0.76 Nm).

NOTES: UNLESS OTHERWISE SPECIFIED.

METRIC

UNLESS OTHERWISE SPECIFIED
DIMENSIONS ARE IN MILLIMETERS
AND [INCHES]

DO NOT SCALE DRAWING
THIRD ANGLE PROJECTION



NI.COM
AUSTIN, TEXAS

TITLE
USRP X4XX RACK MOUNT
ACCESSORY, 1U, 1 USRP X4XX
DEVICE, W/ SURROGATE EXTENSION

SIZE CODE IDENT NO. DRAWING NO.
D 7U296 788149-01

SHEET 1 OF 5

8

7

6

5

4

3

2

1

8

7

6

5

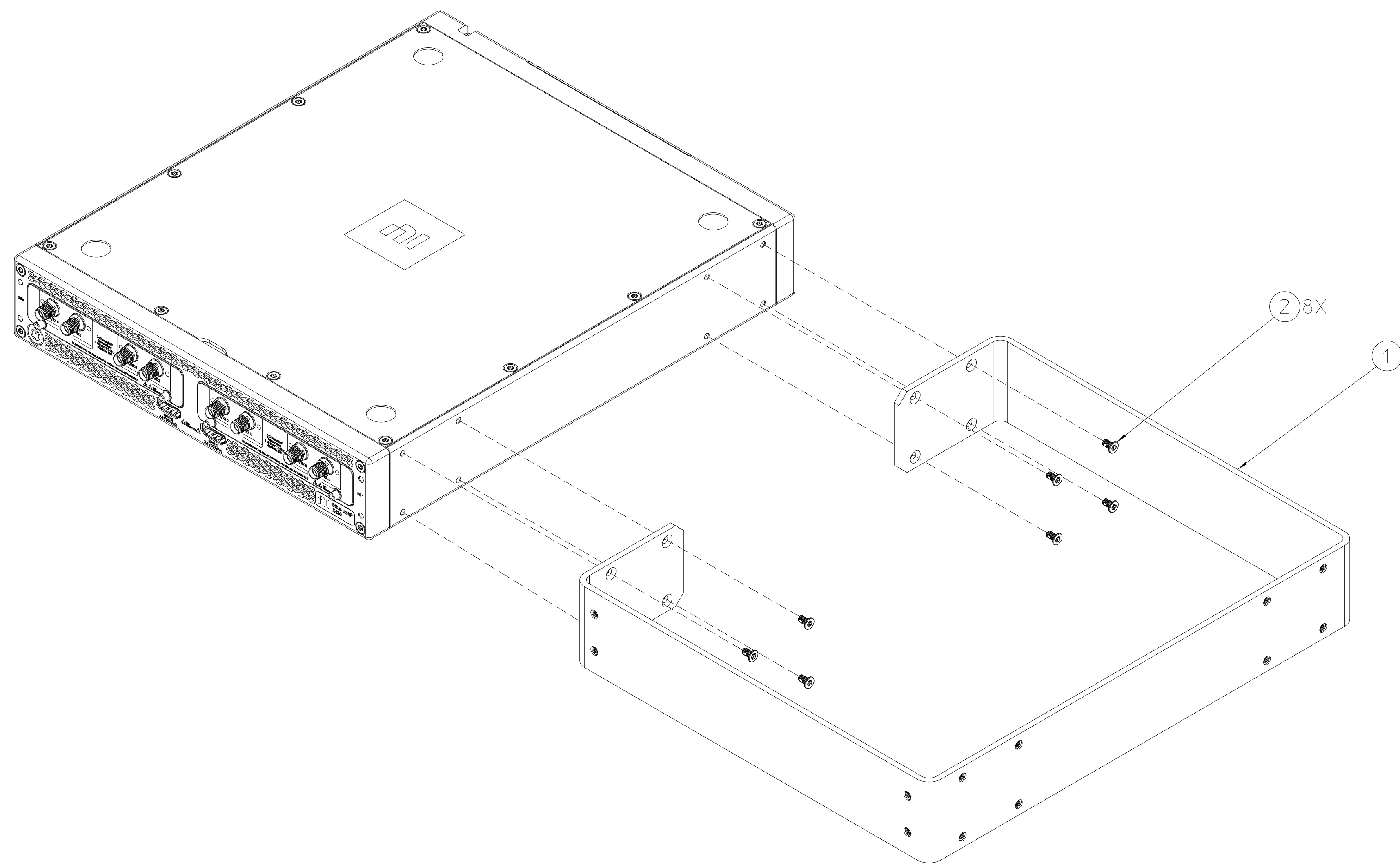
4

3

2

1

© COPYRIGHT 2021, 2022
NATIONAL INSTRUMENTS CORPORATION. ALL RIGHTS RESERVED.



STEP 1: FRAME INSTALLATION

8

7

6

5

4

3

2

1

8

7

6

5

4

3

2

1

© COPYRIGHT 2021, 2022 NATIONAL INSTRUMENTS CORPORATION. ALL RIGHTS RESERVED.

D

D

C

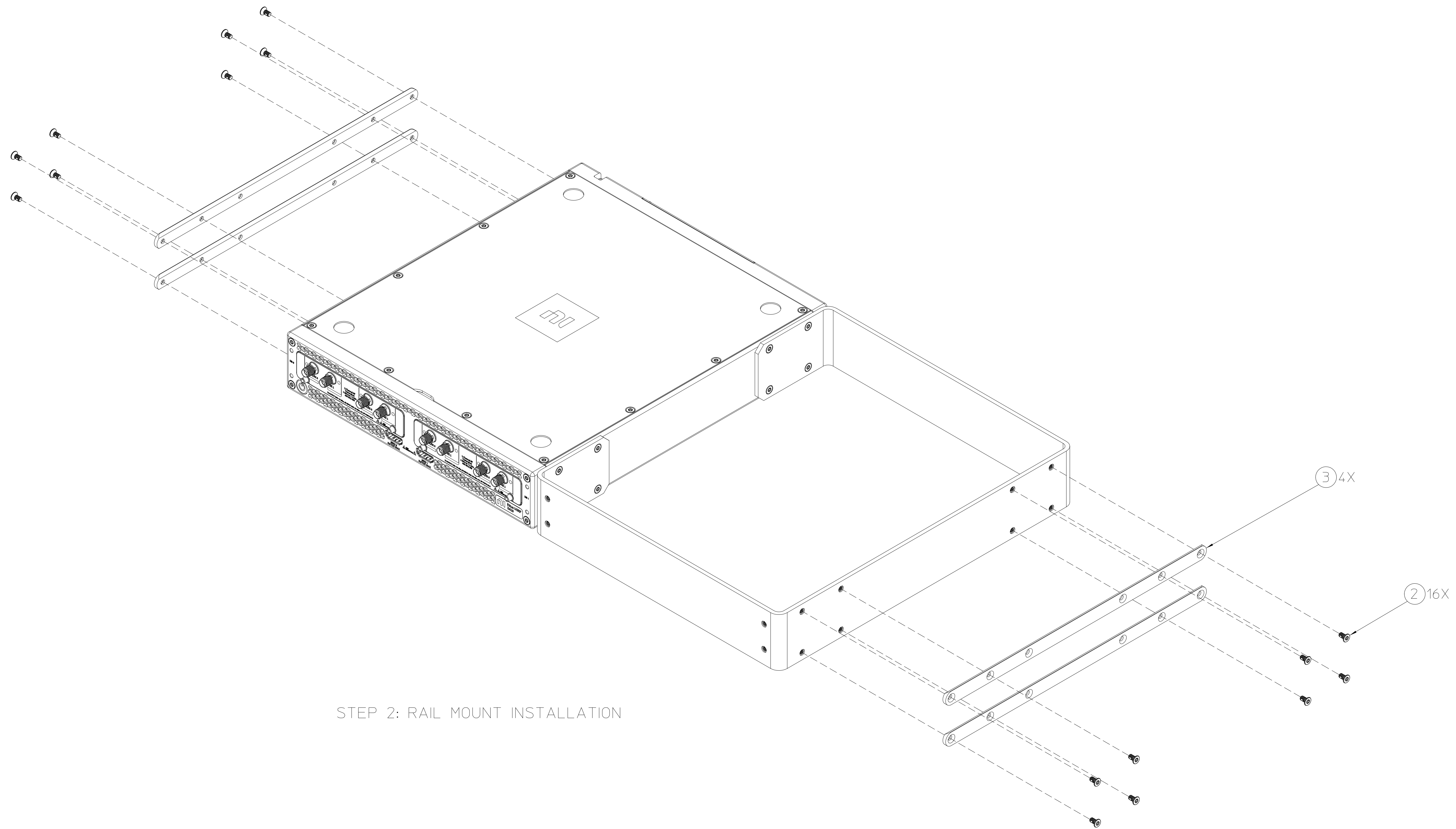
C

B

B

A

A



STEP 2: RAIL MOUNT INSTALLATION

SIZE	CODE	IDENT NO.	DRAWING NO.
D	7U296		788149-01
			SHEET 3 OF 5

8

7

6

5

4

3

2

1

8

7

6

5

4

3

2

1

© COPYRIGHT 2021, 2022
NATIONAL INSTRUMENTS CORPORATION. ALL RIGHTS RESERVED.

D

D

C

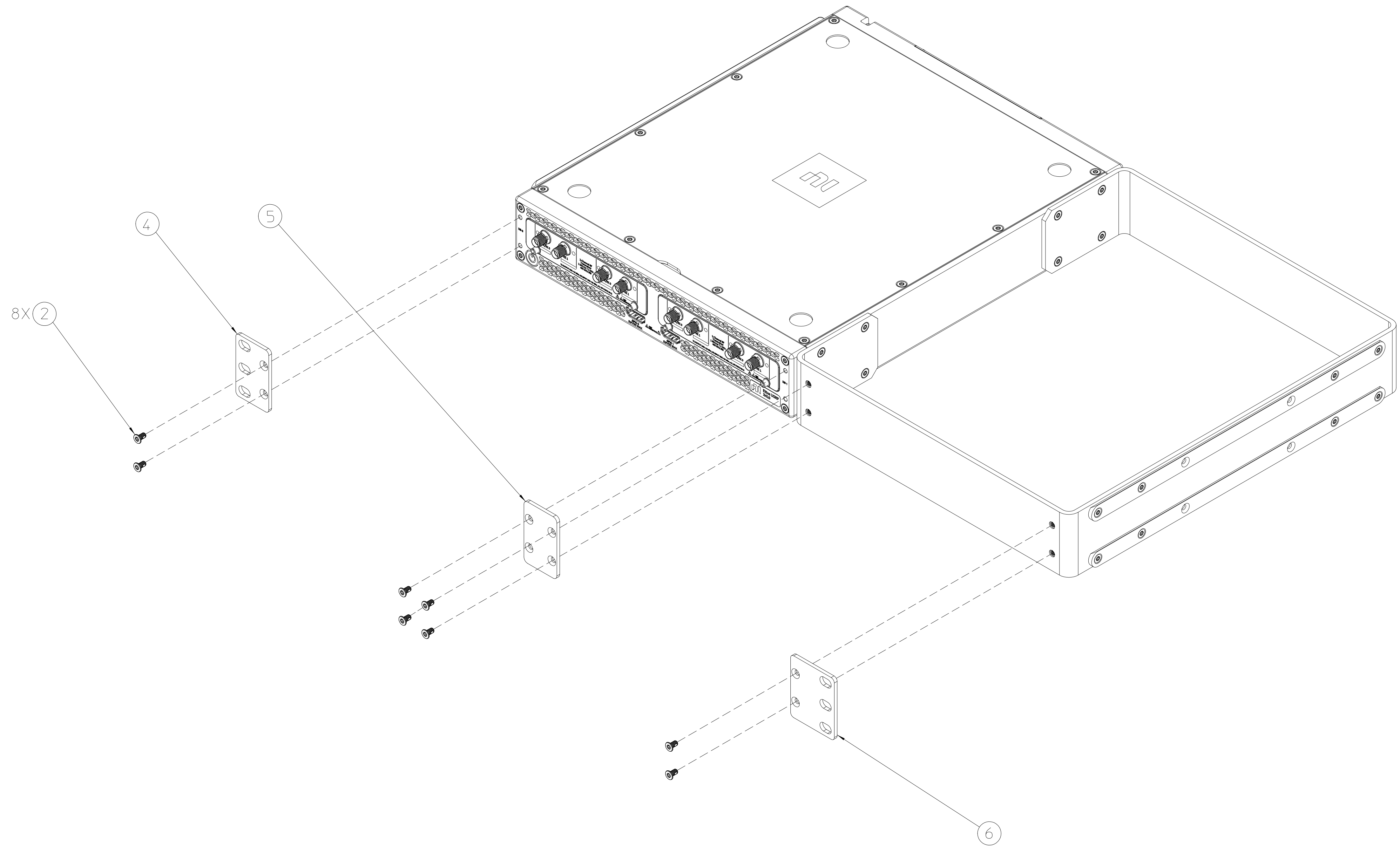
C

B

B

A

A



SIDE MOUNT INSTALLATION

8

7

6

5

4

3

2

1

8

7

6

5

4

3

2

1

© COPYRIGHT 2021, 2022
NATIONAL INSTRUMENTS CORPORATION. ALL RIGHTS RESERVED.

D

D

C

C

B

B

A

A

2X 7

8X 8

STEP 4: SLIDE ARM INSTALLATION

SIZE	CODE	IDENT NO.	DRAWING NO.
D	7U296		788149-01
			SHEET 5 OF 5

8

7

6

5

4

3

2

1