

ThermalAir TA-5000A

An Evolution in Localized Temperature Test Systems



More Technology
More Control
More Temperature Capacity
More Energy Saving

Unique architecture of the ThermalAir TA-5000 creates unprecedented performance while saving up to 50% on electricity/ energy/ power!

Extremely low audible noise refrigeration built-in DC Chiller for engineering lab environment

Active temperature control and settable ramp rates for temperature profiling, cycling, thermal shock and testing directly at application on the bench top and production floor

Versatile positioning Boom Arm & Stand compatible with test site pitches and hard to reach applications

Quick & Easy interchangeable temperature head accessories
[No hardware or tools required]

Performance Plus! - Productivity!

- Continuous Air Flow up to 25 SCFM @-80°C / +225°C
- -55°C to +125°C / +125°C to -55°C less than 10 sec
- Ultra Stable DC Temperature Control
- Frost Free Operation / Built-in Air Dryer
- No LN₂ or CO₂ Required
- CFC Free / CE Mark

Flexibility

- Two User Touch Screen Displays on the Head & Front Panel
- USB & SSD Thermal File Management & Data Logging
- Easy Roll Around wheels for portability
- Plug-in Anywhere 185 to 250 VAC, 50/60Hz
[No configuration required]



Temperature Solutions **MPI Thermal** For The Future

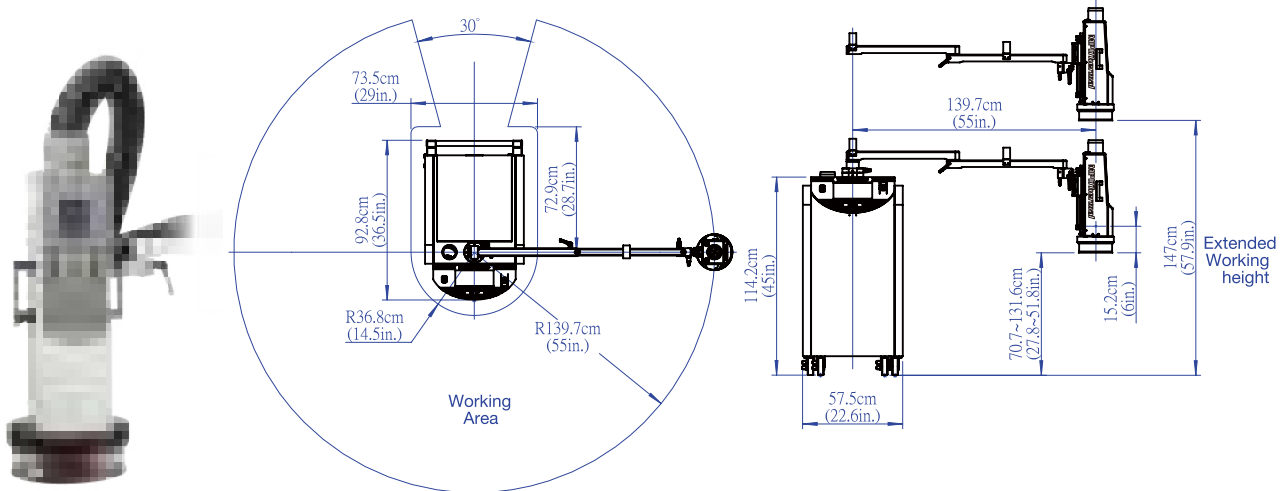
A Division of MPI Corporation

Email: info@mpi-thermal.com | Web: www.mpi-thermal.com

ThermalAir TA-5000A

Temperature Conditioning System

Specifications



Full Interface For All Communication Control Requirements

4 USB-Type A, 1 USB-Type B, HDMI, IEEE-488, LAN, RS-232, T-Type, K-Type and RTD temperature sensors PLUS Auto Start Test & End of Test for automatic temperature cycling Hot-Cold-Amb.

All these are made for simple control and serviceability.

Specifications

Temperature Performance & Airflow Capacity

Temperature Range	-80°C to +225°C (50/60Hz same system, same temperature performance)
Typical Temperature Transition Rate	-55°C to +125°C / +125°C to -55°C <10 sec
Temperature Accuracy	± 1.0°C (calibrated system)
Temperature Resolution	± 0.1°C
Temperature Air Output System	4 to 25 SCFM (1.9 to 11.8 l/s) Continuous
Temperature Control Methods	Environmental Internal Air TC and Remote External Type T, K, RTD (TC Sensors)

Note: Systems DO NOT degrade @50Hz or @High Air Flow Output Rates

Facility Requirements / Dimensions & Weights / Compressed Air

Base Unit & System Weight	W=57.5cm (22.6in.), D=92.8cm (36.5in.), H=136.3cm (55.7in.) Un-packed: 265kg (584 lbs) / Packed: 395kg (870 lbs)
Portability	Static dissipative, four easy roll swivel caster wheels
Maximum Reach	139.7cm (55 in.)
Maximum & Minimum Heights	Standard: 70.6-131.6cm (27.8-51.8in.) / Extended: 85.9-146.9cm (33.8-57.9in.)
Hi-Temp Glass Cap Enclosures	4.5 inch ID, 4.7 inch ID, 5.5 inch ID, 5.7 inch ID, Standard. Optional sizes available
Noise Level	<49 dBA average
Power	185 - 250VAC (220 Nominal), 60 / 50Hz, 30amp, 1 phase
Clean, Dry Air (CDA)	Filtered to 5µ particulate contamination Oil Content: < 0.10 ppm by weight and filtered to 0.01µ oil contaminants
Input Air Dewpoint	+10°C dewpoint or dryer@90PSI (6.2 BAR)
Input Air Pressure	90 to 120 PSIG (6.2 to 8.3 BAR)
Input Air Flow	15 to 30 SCFM (7.2 to 14.3 l/s) 25 SCFM nominal
Input Air Temperature	+15° to +25°C, +22°C nominal
Operating Temperature Environment	+15° to +28°C, +23°C nominal
Operating Humidity	0 to 60% RH, 45% nominal

MPI Thermal TA-5000A
A Division of MPI Corporation