

System 46

RF/Microwave Switch System Data Sheet

32-channel, Unterminated



Flexible Solutions in a Compact Package

The S46 Microwave Switch System is designed to simplify the automated switching needed to test a wide range of telecommunications products and devices. The S46 can control 32 relay contacts in a package as small as a 2U high (3.5 in) full-rack enclosure. Standard configurations make it simple to select a system that meets the specifications of the testing application without the expense of unnecessary switches or other features. This “just what you need and no more” design philosophy allows S46 systems to provide outstanding price/performance value.

The enclosures used in standard S46 configurations can accommodate eight SPDT unterminated coaxial microwave relays and four multi-pole, unterminated, coaxial microwave relays. Any of these multi-pole unterminated relays can be one of the following relay types: SP4T or SP6T. S46 switching systems can be used as multiplexers, matrices, independent relays, or a combination of configurations. To order a standard system, simply select the number of relays and their location on the front panel. As test requirements change, relays can be easily added to the system to create a new switch configuration.

Frequency Range

To accommodate the rapidly evolving test requirements in RF/microwave applications, the S46 has ordering provisions for frequency ranges up to 40GHz. Configuration options include DC to 18GHz, DC to 26.5GHz, and DC to 40GHz.

Simple Operation

The S46 switch system's 32 control channels can be operated via the IEEE-488 interface bus with a minimal set of instructions. This small instruction set ensures the system can be set up and running quickly. Front panel LEDs indicate the status of all relay contacts continuously to allow the user to monitor system operation easily.

Excellent Microwave Switching Performance

Keithley's experience and partnerships with leading manufacturers in the microwave relay industry allow Keithley to offer the lowest insertion loss, VSWR, and crosstalk performance specifications available. Low-loss, semi-flexible RF cables are available as accessories to maximize signal integrity.

Maximum System Up-Time and Enhanced System Performance

The S46 controller automatically counts relay contact closures to allow equipment maintenance personnel to assess when the relays are nearing the end of their mechanical life. In this way, preventive maintenance can be performed in a timely way during scheduled shutdowns, avoiding unplanned shutdowns and the resulting loss of production time.

In addition to counting contact closures, the S46 has a portion of its memory available to store S-parameters or calibration constants for each relay contact or each pathway. If a specific performance parameter is critical, such as Voltage Standing Wave Ratio (VSWR) or insertion loss, the parameter can be stored in memory for use in trend analysis between scheduled maintenance shutdowns. Stored parameters can also be used for compensation to enhance accuracy during RF measurements.

KEY FEATURES

- Compact RF/microwave switching system only 2U high
- Built-in contact closure counter to monitor switch cycles
- Standard configuration allows up to 32 channels of switching
- Simple control with built-in GPIB/IEEE-488 interface bus
- Channel characterization data storage
- Frequency ranges up to 40GHz

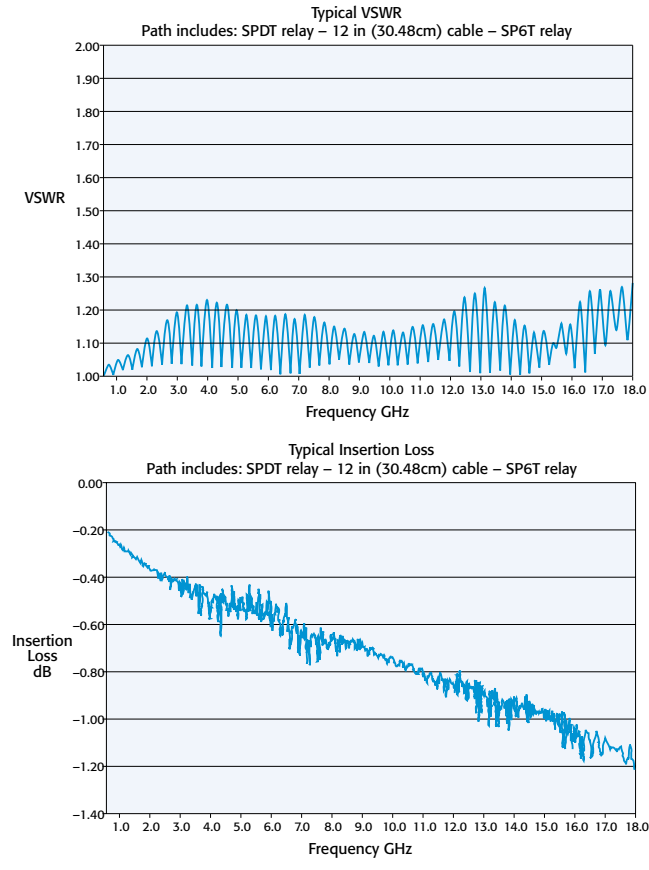
APPLICATIONS

- Cellular and cordless phones
- Specialized mobile radios
- Base stations
- Specialized antenna systems
- RF components, including RFICs
- Wireless peripherals, including Bluetooth devices
- Broadband wireless transceivers
- High speed digital communications, including SONET speeds 3Gbps and 10Gbps

System 46 RF/Microwave Switch System

32-channel, Unterminated

Standard Performance Data of an 18GHz, 1x12 Multiplexer



ACCESSORIES AVAILABLE

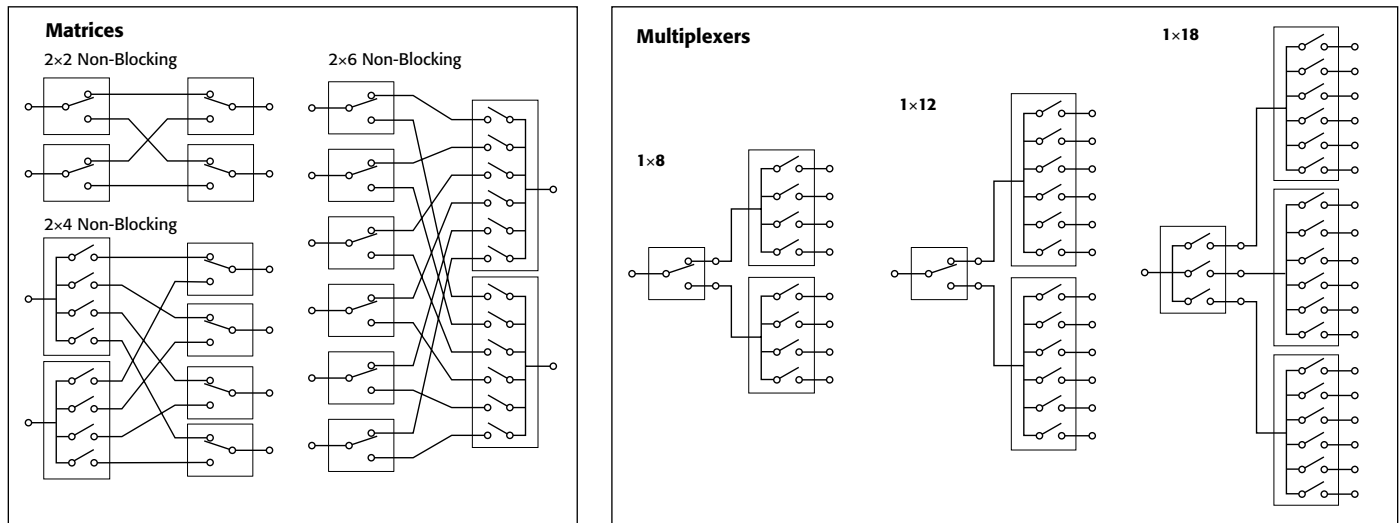
CABLING

S46-SMA-0.5	DC–18GHz, Low Loss, Semi-Flex SMA-SMA Cable Assembly, 0.152m (6 in.)
S46-SMA-1	DC–18GHz, Low Loss, Semi-Flex SMA-SMA Cable Assembly, 0.305m (12 in.)
S46-SMA-1.7	DC–18GHz, Low Loss, Semi-Flex SMA-SMA Cable Assembly, 0.518m (20.4 in.)
S46-SMA26-0.5	DC–26.5GHz, Low Loss, Semi-Flex SMA-SMA Cable Assembly, 0.152m (6 in.)
S46-SMA26-1	DC–26.5GHz, Low Loss, Semi-Flex SMA-SMA Cable Assembly, 0.305m (12 in.)
S46-SMA26-1.7	DC–26.5GHz, Low Loss, Semi-Flex SMA-SMA Cable Assembly, 0.518m (20.4 in.)
TL-24	SMA Cable Torque Wrench

SWITCH KITS

S46-SPDT-KIT	Standard Performance 18GHz Unterminated SPDT Relay and Control Cable Assembly
S46-SP4T-KIT	Standard Performance 18GHz Unterminated SP4T Relay and Control Cable Assembly
S46-SP6T-KIT	Standard Performance 18GHz Unterminated SP6T Relay and Control Cable Assembly
S46-SPDT-KIT-R	High Performance 18GHz Unterminated SPDT Relay and Control Cable Assembly
S46-SP4T-KIT-R	High Performance 18GHz Unterminated SP4T Relay and Control Cable Assembly
S46-SP6T-KIT-R	High Performance 18GHz Unterminated SP6T Relay and Control Cable Assembly
S46-SPDT-KIT-26	High Performance 26.5GHz Unterminated SPDT Relay and Control Cable Assembly
S46-SP4T-KIT-26	High Performance 26.5GHz Unterminated SP4T Relay and Control Cable Assembly
S46-SP6T-KIT-26	High Performance 26.5GHz Unterminated SP6T Relay and Control Cable Assembly
S46-SPDT-KIT-40	High Performance 40GHz Unterminated SPDT Relay and Control Cable Assembly
S46-SP4T-KIT-40	High Performance 40GHz Unterminated SP4T Relay and Control Cable Assembly
S46-SP6T-KIT-40	High Performance 40GHz Unterminated SP6T Relay and Control Cable Assembly

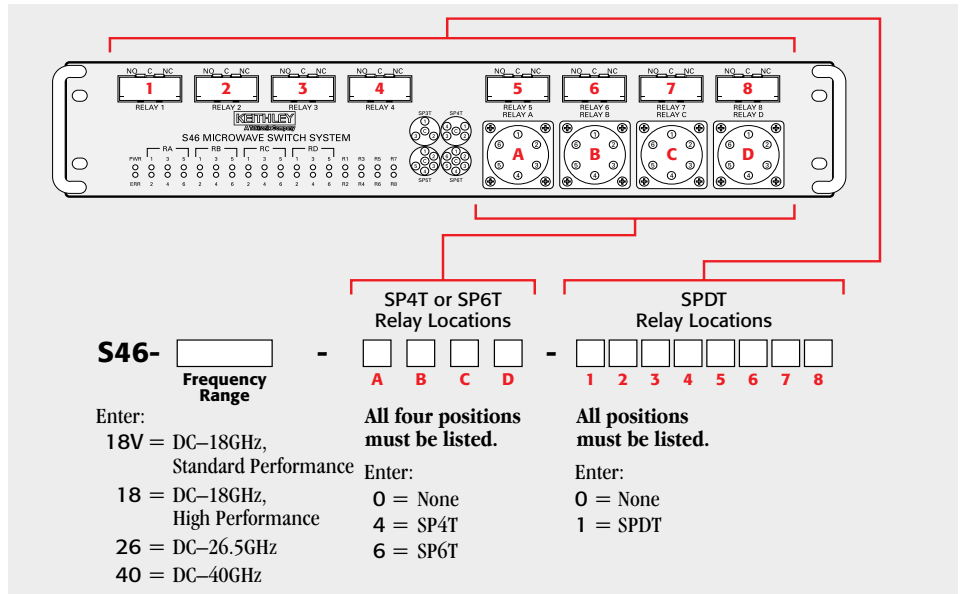
Examples of Standard System Switch Configurations



MAXIMUM CONFIGURATION: (8) – Unterminated SPDT relays. (4) – Unterminated multi-pole relays (SP4T, SP6T).

System 46 RF/Microwave Switch System

32-channel, Unterminated



ORDERING INFORMATION

Specifying Standard
S46 Model Numbers

ACCESSORIES SUPPLIED

Power cord, instruction manual, and rack mount kit

GENERAL INFORMATION

CONTACT CLOSURE COUNTERS:

1 counter per channel, up to 10 million counts each, maintained in non-volatile memory.

NON-VOLATILE STORAGE:

32 separate locations; each location up to 68 bytes long, for user-definable channel and system parameters.

NUMBER OF RELAY CONTROL LINES:

32, each open collector driver capable of 300mA sink current (max.).

INTERFACE: GPIB

(IEEE-488.2) and SCPI.

INDICATORS: Power, relay

position status, and error LED.

POWER: 100-240VAC, 50/60Hz.

MAXIMUM COMMON MODE:

42V peak, any terminal to earth.

ENVIRONMENT: Operating:

0° to 40°C, up to 35°C < 80% RH. Storage: -25° to 65°C.

EMC: Conforms to European

Union Directive 89/336/EEC.

SAFETY: Conforms with European

Union Directive 73/23/EEC.

DIMENSIONS: 89mm high ×

485mm wide × 370mm. deep

(3.5" × 19" × 14.563").

SHIPPING WEIGHT: 13kg (28 lbs).

Multipole Relay Locations A-D: Enter a "4" for an SP4T relay or a "6" for SP6T relay in the required location. Enter a "0" in unused multi-pole locations. There must be digits in all four positions.

SPDT Relay Locations 1-8: Enter a "1" for an SPDT relay in the required location.

Enter a "0" in unused multi-pole locations. There must be digits in all eight positions.

Example 1: Model Number S46-18V-0604-00101100

Includes: SP6T in position B, SP4T in position D, SPDTs in positions 3, 5, and 6.

Frequency range "18V," standard performance DC-18GHz.

Example 2: Model Number S46-26-0440-11100000

Includes: SP4T in positions B and C, SPDTs in positions 1, 2, and 3.

Frequency range "26," high performance DC-26.5GHz.

Unterminated Relay Specifications

Option	18V	18	26	40
	Std. Performance	High Performance		
FREQUENCY RANGE	DC-18 GHz	DC-18 GHz	DC-26.5 GHz	DC-40 GHz
CONNECTOR TYPE	SPDT SMA	SMA	SMA SMA 2.9	SMA 2.9
IMPEDANCE	50Ω	50Ω	50Ω	50Ω
CONTACT LIFE	SPDT 2 × 10 ⁶ SP4T, SP6T 2 × 10 ⁶	1 × 10 ⁷ 5 × 10 ⁶	1 × 10 ⁷ 2 × 10 ⁶	1 × 10 ⁷ 2 × 10 ⁶
VSWR (max.)	DC-6 GHz: 1.25 6-12 GHz: 1.40 12-18 GHz: 1.50	DC-3 GHz: 1.20 3-8 GHz: 1.30 8-12.4 GHz: 1.40 12.4-18 GHz: 1.50	DC-6 GHz: 1.30 6-12.4 GHz: 1.40 12.4-18 GHz: 1.50 18-26.5 GHz: 1.70	DC-6 GHz: 1.30 6-12.4 GHz: 1.40 12.4-18 GHz: 1.50 18-26.5 GHz: 1.70 26.5-40 GHz: 2.20
INSERTION LOSS (max.) dB	DC-6 GHz: 0.2 6-12 GHz: 0.4 12-18 GHz: 0.5	DC-3 GHz: 0.2 3-8 GHz: 0.3 8-12.4 GHz: 0.4 12.4-18 GHz: 0.5	DC-6 GHz: 0.2 6-12.4 GHz: 0.4 12.4-18 GHz: 0.5 18-26.5 GHz: 0.7	DC-6 GHz: 0.2 6-12.4 GHz: 0.4 12.4-18 GHz: 0.5 18-26.5 GHz: 0.7 26.5-40 GHz: 1.1
ISOLATION (min.) dB	DC-6 GHz: 70 6-12 GHz: 60 12-18 GHz: 60	DC-3 GHz: 80 3-8 GHz: 70 8-12.4 GHz: 60 12.4-18 GHz: 60	DC-6 GHz: 70 6-12.4 GHz: 60 12.4-18 GHz: 60 18-26.5 GHz: 55	DC-6 GHz: 70 6-12.4 GHz: 60 12.4-18 GHz: 60 18-26.5 GHz: 55 26.5-40 GHz: 50
ACTUATION TIME (max.) ms	SPDT 20 SP4T, SP6T 15	10 15	10 15	10 15

Contact Information:

Australia* 1 800 709 465
Austria 00800 2255 4835
Balkans, Israel, South Africa and other ISE Countries +41 52 675 3777
Belgium* 00800 2255 4835
Brazil +55 (11) 3759 7627
Canada 1 800 833 9200
Central East Europe / Baltics +41 52 675 3777
Central Europe / Greece +41 52 675 3777
Denmark +45 80 88 1401
Finland +41 52 675 3777
France* 00800 2255 4835
Germany* 00800 2255 4835
Hong Kong 400 820 5835
India 000 800 650 1835
Indonesia 007 803 601 5249
Italy 00800 2255 4835
Japan 81 (3) 6714 3086
Luxembourg +41 52 675 3777
Malaysia 1 800 22 55835
Mexico, Central/South America and Caribbean 52 (55) 56 04 50 90
Middle East, Asia, and North Africa +41 52 675 3777
The Netherlands* 00800 2255 4835
New Zealand 0800 800 238
Norway 800 16098
People's Republic of China 400 820 5835
Philippines 1 800 1601 0077
Poland +41 52 675 3777
Portugal 80 08 12370
Republic of Korea +82 2 6917 5000
Russia / CIS +7 (495) 6647564
Singapore 800 6011 473
South Africa +41 52 675 3777
Spain* 00800 2255 4835
Sweden* 00800 2255 4835
Switzerland* 00800 2255 4835
Taiwan 886 (2) 2656 6688
Thailand 1 800 011 931
United Kingdom / Ireland* 00800 2255 4835
USA 1 800 833 9200
Vietnam 12060128

* European toll-free number. If not accessible, call: +41 52 675 3777



Find more valuable resources at TEK.COM

Copyright © Tektronix. All rights reserved. Tektronix products are covered by U.S. and foreign patents, issued and pending. Information in this publication supersedes that in all previously published material. Specification and price change privileges reserved. TEKTRONIX and TEK are registered trademarks of Tektronix, Inc. All other trade names referenced are the service marks, trademarks or registered trademarks of their respective companies.

102817 AH 1KW-5043-1

