

1. REFER TO PRODUCT MANUAL ON NI.COM FOR MORE DETAILS

NOTES: UNLESS OTHERWISE SPECIFIED.

METRIC

CUSTOMER DRAWING

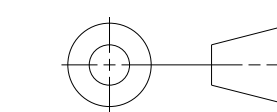
UNLESS OTHERWISE SPECIFIED  
 DIMENSIONS ARE IN MILLIMETERS  
 AND INCHES



AUSTIN, TEXAS

DO NOT SCALE DRAWING  
 THIRD ANGLE PROJECTION

TITLE  
 CUSTOMER DRAWING,  
 RACK MOUNT KIT,  
 PXIe-1092

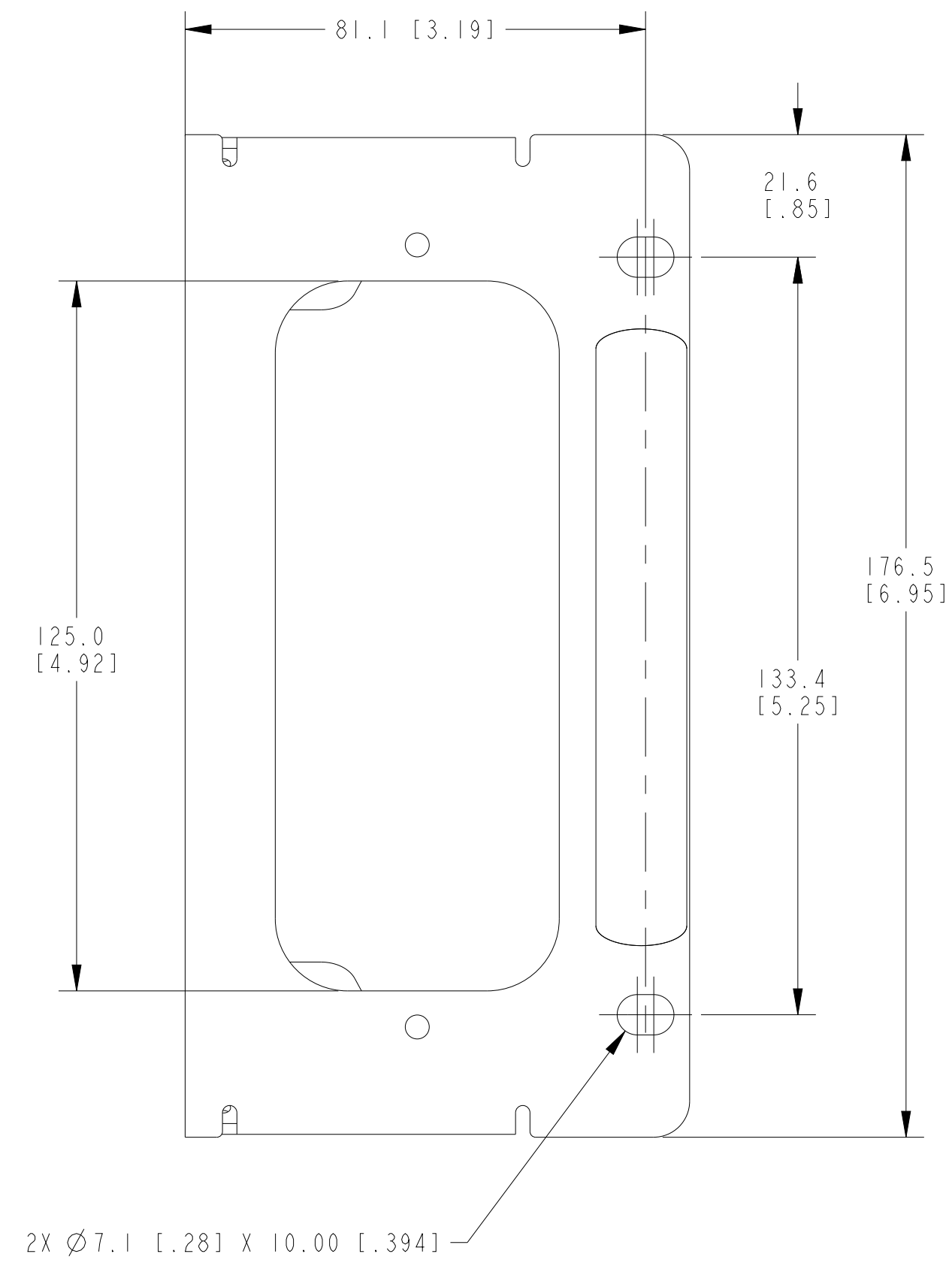


SIZE CODE IDENT NO./MM/DD/YYYY  
 D 7U296 06/25/2019

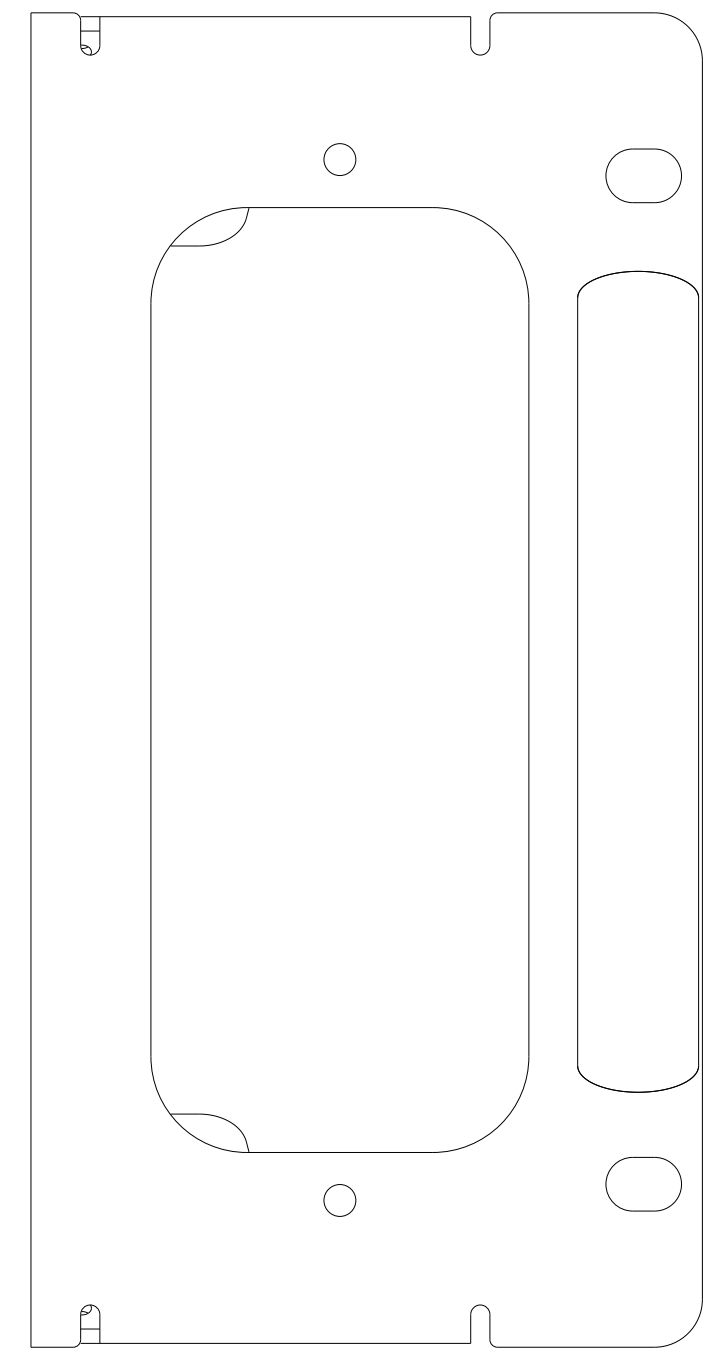
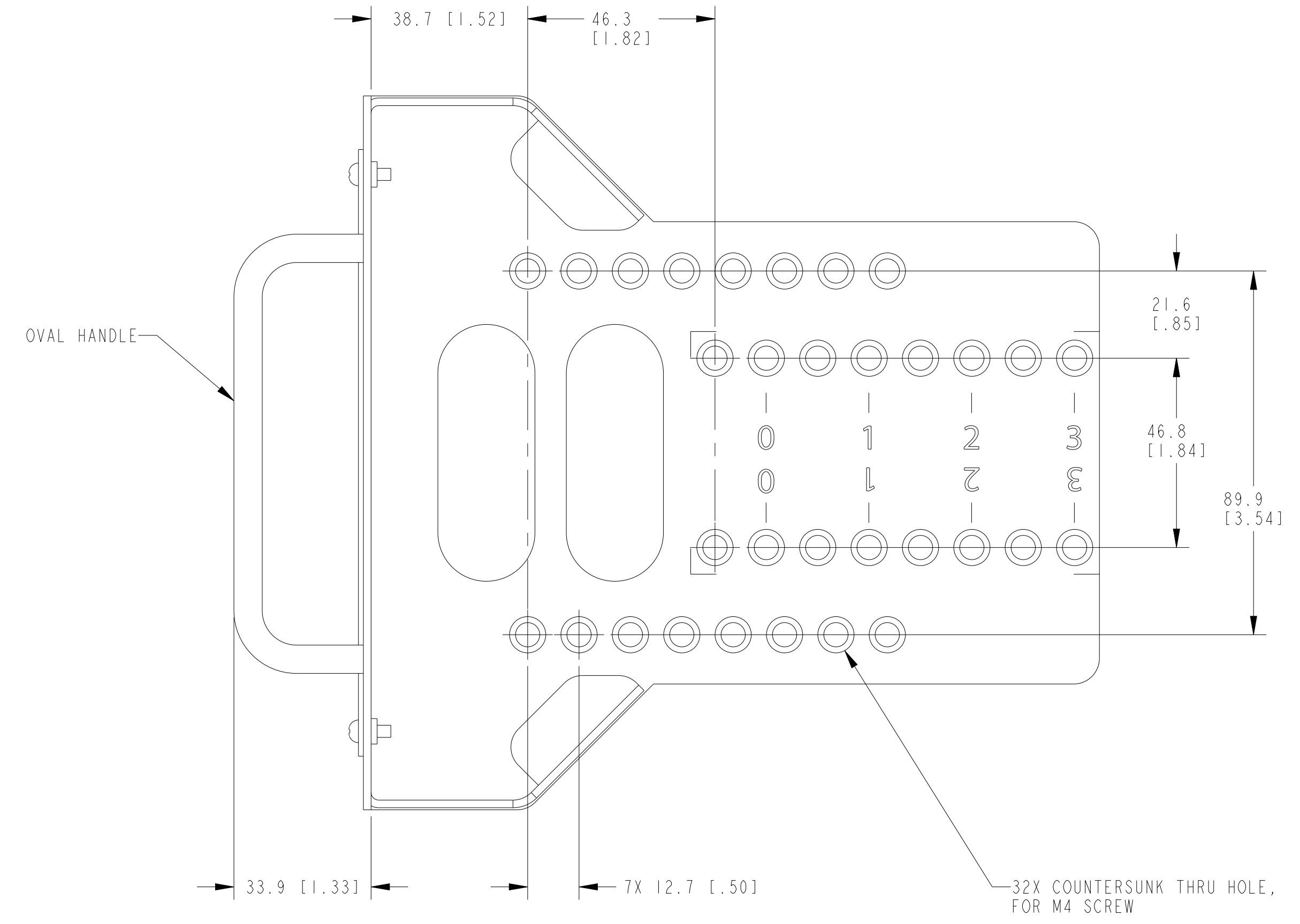
SCALE: 1/2

SHEET 1 OF 3

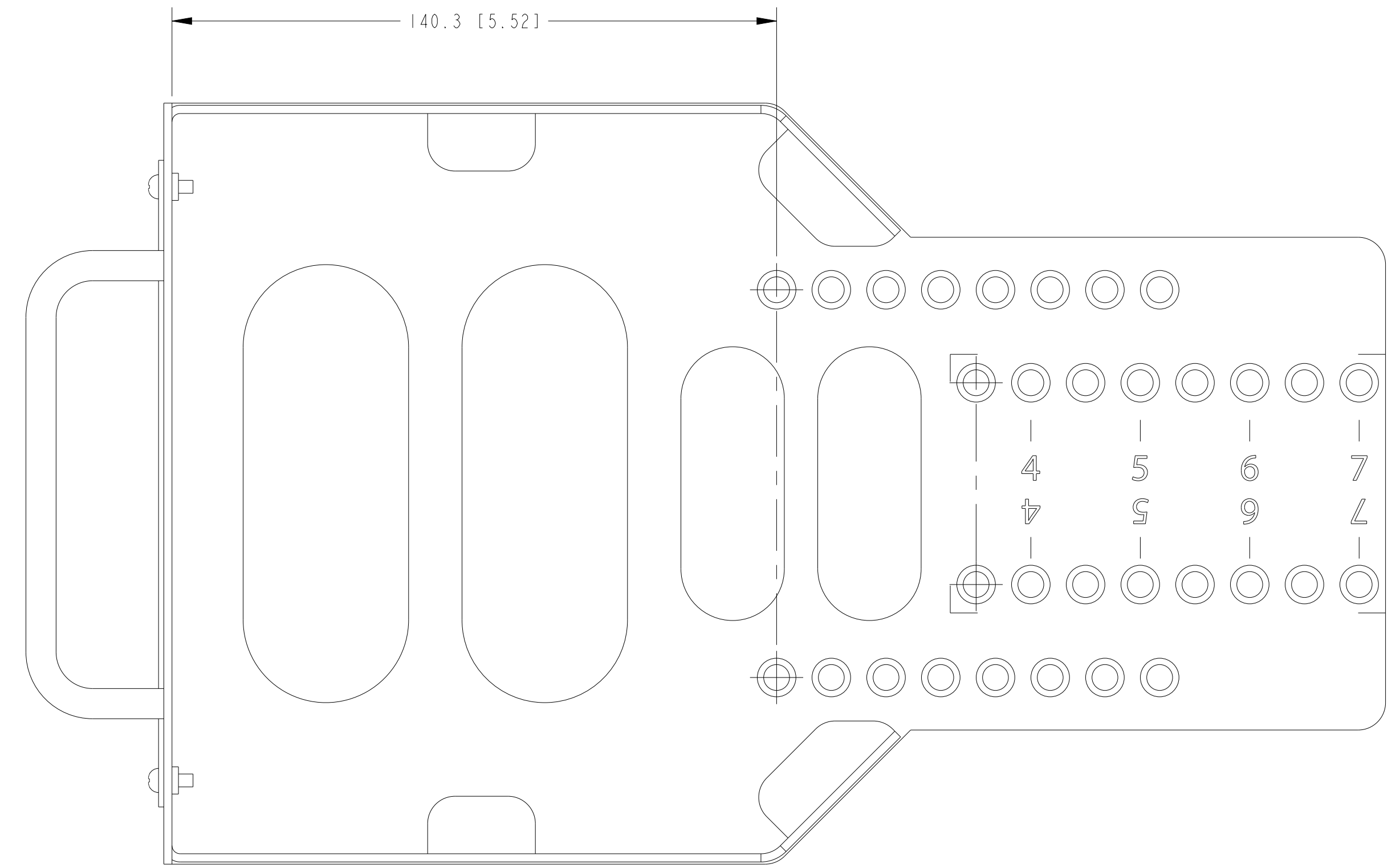
CU-RACKMOUNT.PXIe-10SL0T



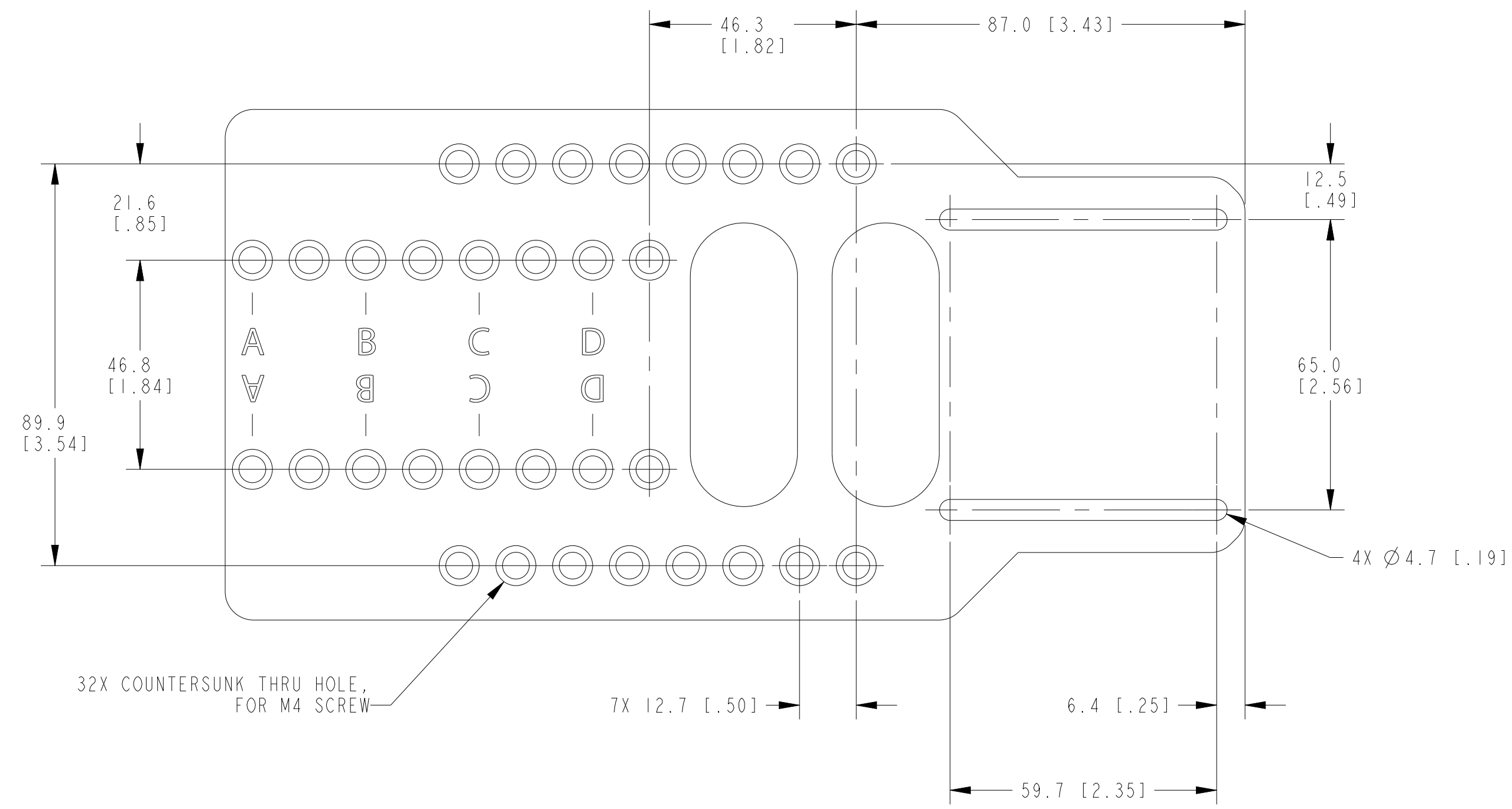
FRONT RACK MOUNT SHORT



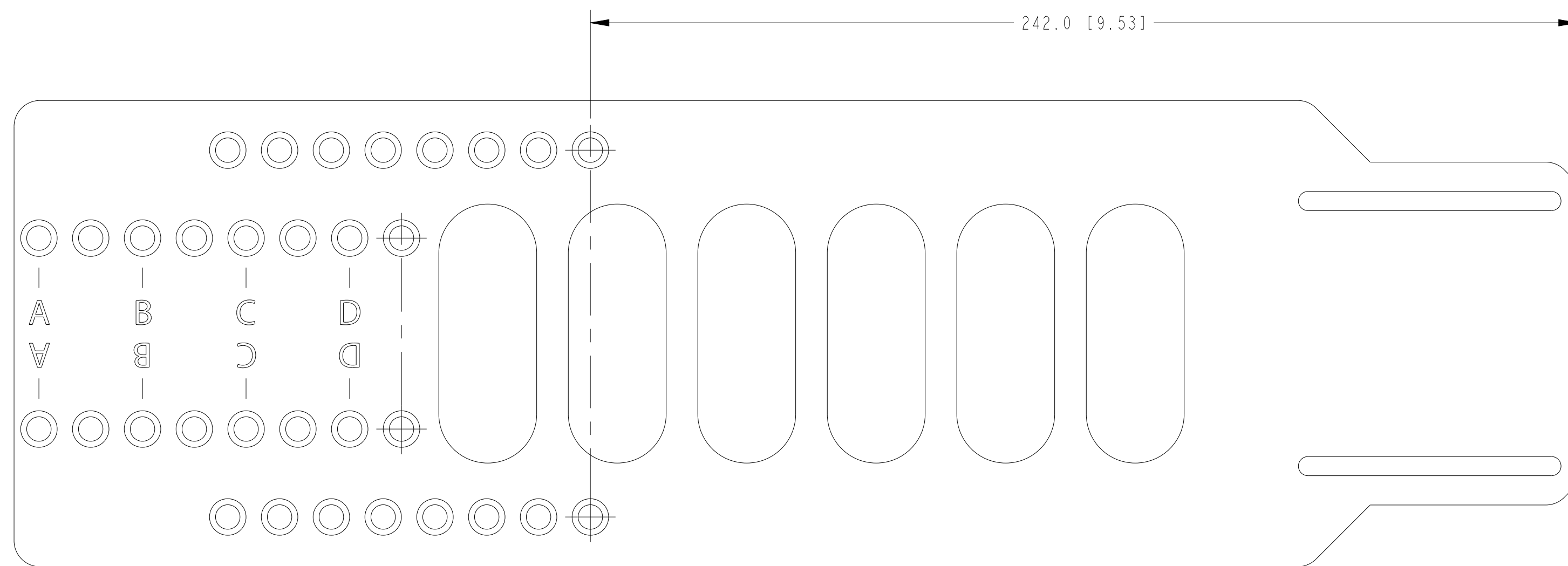
FRONT RACK MOUNT LONG  
 SEE FRONT RACK MOUNT SHORT  
 FOR ANY MISSING DIMENSIONS



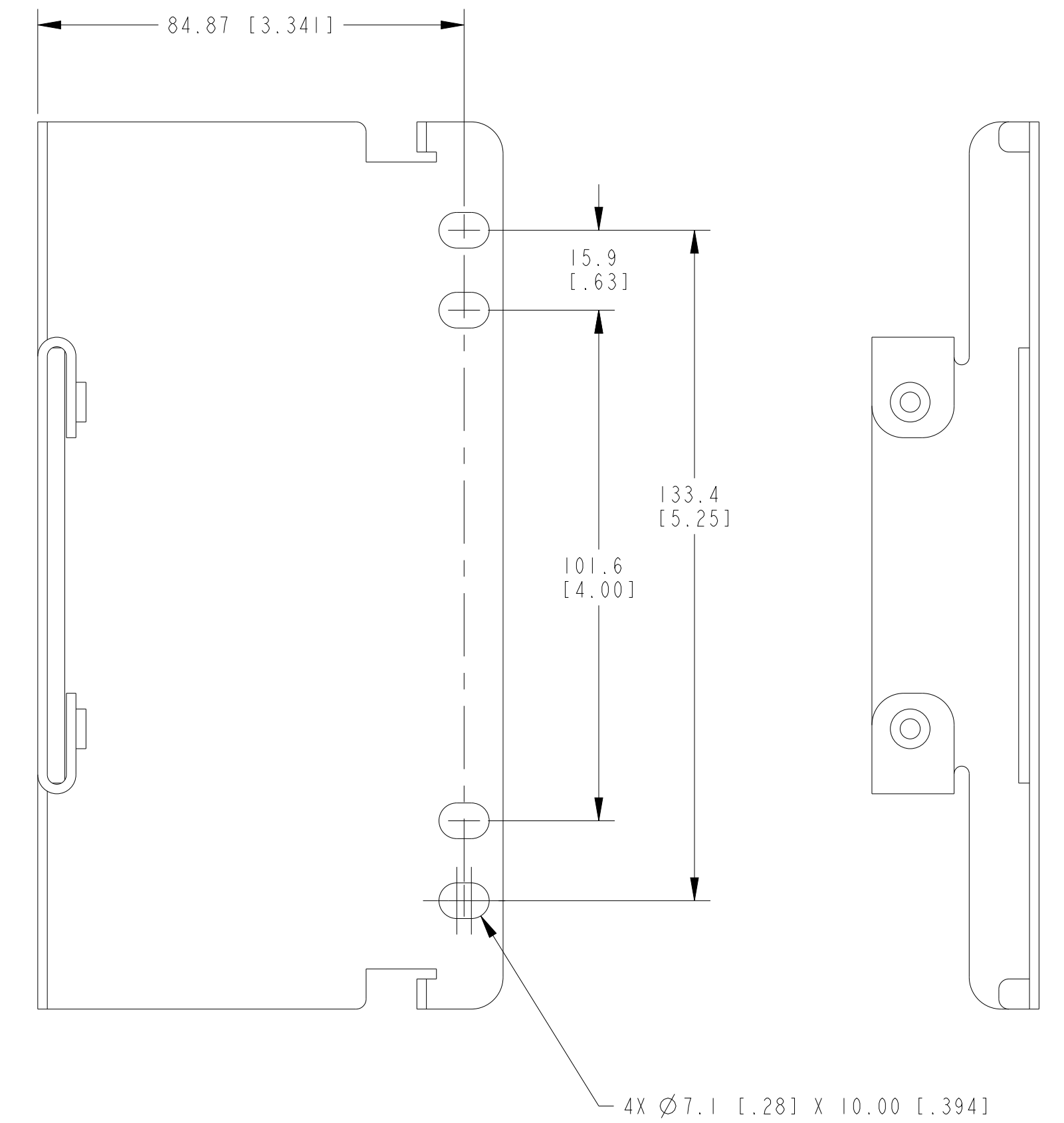
FRONT RACK MARKINGS REPRESENT  
 CHASSIS RECESS IN INCHES



REAR RACK MOUNT SHORT



REAR RACK MOUNT LONG  
 SEE REAR RACK MOUNT SHORT  
 FOR ANY DIMENSIONS NOT SHOWN



REAR RACK MOUNT BRACKET