
NI 9901 Desktop Mounting Kit User Manual

2024-06-13



Contents

NI 9901 Desktop Mounting Kit User Manual	3
Installing the Mounting Bracket	4
Installing the Adapter Bracket.....	5
Environmental Management.....	7
EU and UK Customers.....	7
电子信息产品污染控制管理办法（中国RoHS）	7

NI 9901 Desktop Mounting Kit User Manual

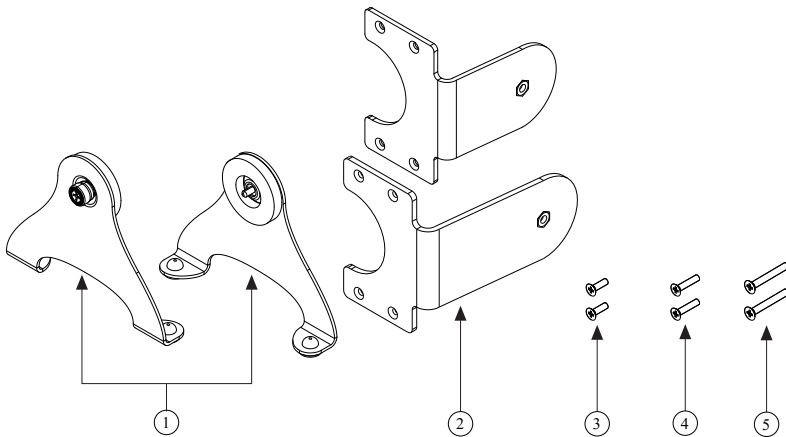
Use the NI 9901 desktop mounting kit to mount a CompactRIO or CompactDAQ chassis on a desktop.



Note The kit contains two sizes of adapter brackets. Determine which adapter bracket length is appropriate for your chassis before installation.

Verify that the following items are included in the NI 9901 kit.

Figure 1. Kit Contents



1. NI 9901 end bracket (x2)
2. NI 9901 adapter bracket (x2)
3. M3 x 14 screw (x2)
4. M3 x 20 screw (x2)
5. M3 x 35 screw (x2)

What You Need to Get Started

You will need the following tools to install the NI 9901.

- #1 Phillips screwdriver
- #2 Phillips screwdriver
- T-10 Torx screwdriver (for use with cRIO-905x controllers)

© 2005–2022 National Instruments Corporation. All rights reserved. Refer to the <National Instruments>_Legal Information directory for information about NI copyright, patents, trademarks, warranties, product warnings, and export compliance.

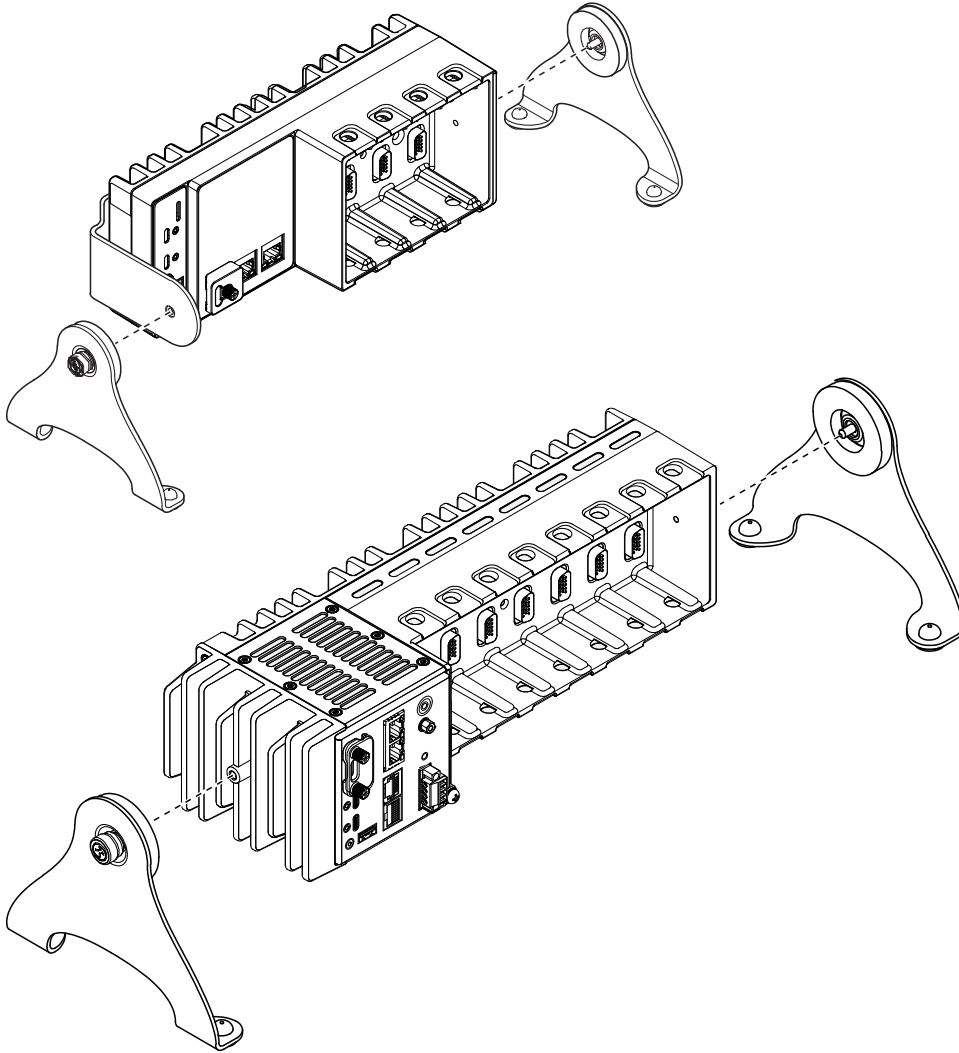
Installing the Mounting Bracket

What to Use

- Mounting bracket
- Screwdriver, #2 Phillips, user-provided

What to Do

Follow these steps to attach the mounting bracket on the chassis.

Figure 2. Installing the Mounting Bracket

1. Align the mounting brackets with the mounting holes at the end of the chassis or on the adapter bracket.
2. Use the #2 Phillips screwdriver to tighten the captive screw on the end bracket.

Installing the Adapter Bracket

If you are installing the NI 9901 on a chassis that does not provide mounting holes at both ends of the chassis, you must install the adapter bracket on the back of the chassis.

What to Use

- Adapter bracket appropriate for your chassis
- M3 screws appropriate for your chassis
- Screwdriver, #1 Phillips or T-10 Torx, depending on your chassis, user-provided

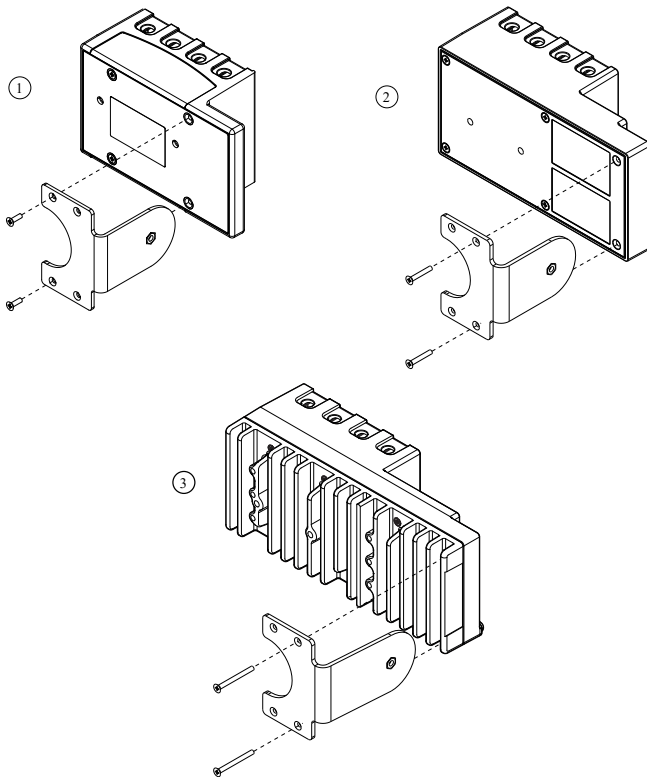
What to Do

Follow these steps to mount the adapter bracket on the chassis.



Note You must use the screws provided with the NI desktop mounting kit because they are the correct depth and thread for the panel mounting plate. Refer to the chassis documentation to determine the correct screw size.

Figure 3. Installing the Adapter Bracket



1. R Series expansion chassis
2. cDAQ and cRIO chassis
3. cRIO-905x chassis

1. Use the #1 Phillips or the T-10 Torx screwdriver to remove the two screws from the

back of the chassis on the controller side.

2. Use the #1 Phillips screwdriver and the two M3 screws to attach the adapter bracket to the chassis.




Note Tighten the screws to a maximum torque of 0.55 N · m (4.9 lb · in.).

Environmental Management


NI is committed to designing and manufacturing products in an environmentally responsible manner. NI recognizes that eliminating certain hazardous substances from our products is beneficial to the environment and to NI customers.

For additional environmental information, refer to the ***Engineering a Healthy Planet*** web page at ni.com/environment. This page contains the environmental regulations and directives with which NI complies, as well as other environmental information not included in this document.

EU and UK Customers

-  **Waste Electrical and Electronic Equipment (WEEE)**—At the end of the product life cycle, all NI products must be disposed of according to local laws and regulations. For more information about how to recycle NI products in your region, visit ni.com/environment/weee.

电子信息产品污染控制管理办法（中国RoHS）

-  **中国RoHS**—NI符合中国电子信息产品中限制使用某些有害物质指令 (RoHS)。关于NI中国RoHS合规性信息，请登录 ni.com/environment/rohs_china。(For information about China RoHS compliance, go to ni.com/environment/rohs_china.)