

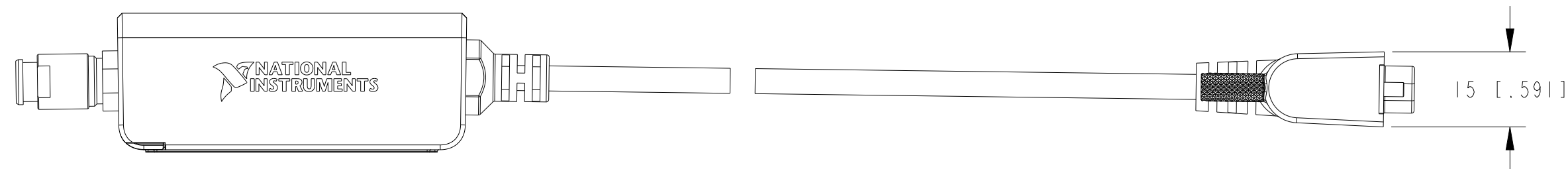
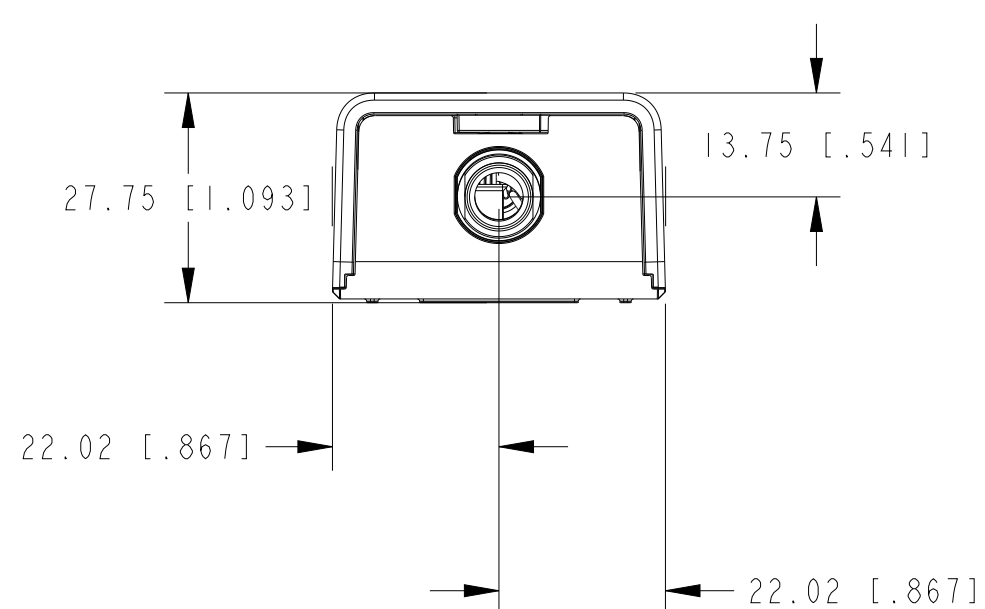
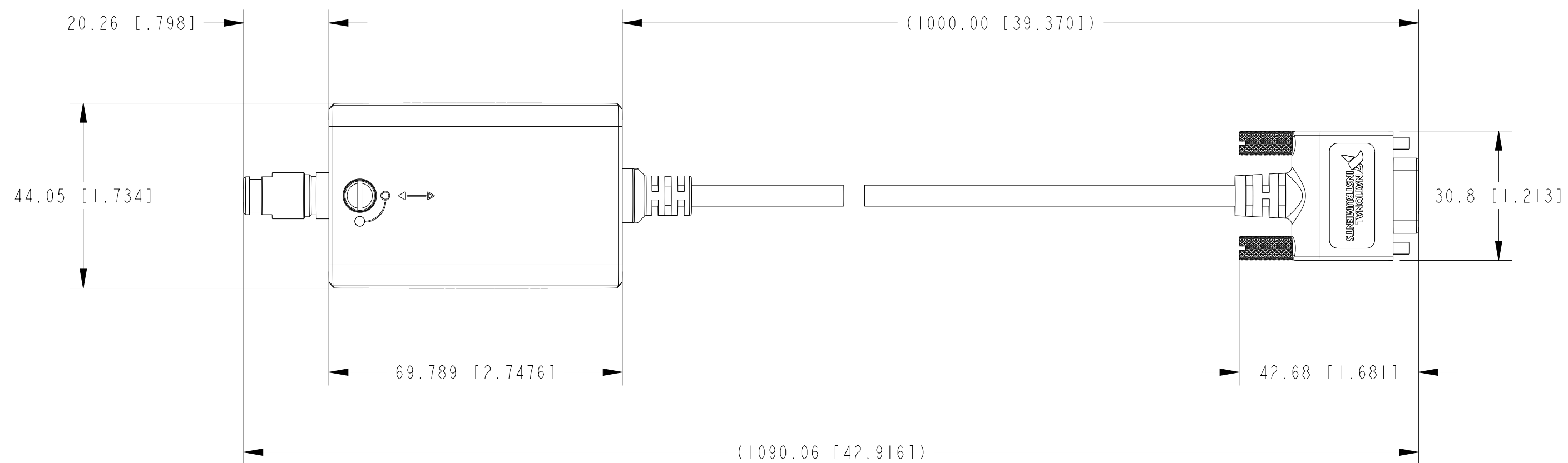
4

3

2

1

COPYRIGHT ©2014 NATIONAL INSTRUMENTS CORPORATION AND ITS LICENSORS. ALL RIGHTS RESERVED.



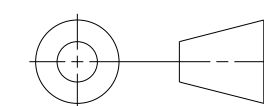
METRIC

CUSTOMER DRAWING

UNLESS OTHERWISE SPECIFIED DIMENSIONS ARE IN INCHES AND (MILLIMETERS).

DO NOT SCALE DRAWING

THIRD ANGLE PROJECTION



**NATIONAL INSTRUMENTS®** AUSTIN, TEXAS

TITLE  
NI 998X ADAPTERS

SIZE	CODE	IDENT NO.	MM/DD/YYYY
C	7U296		10/6/14
SCALE:	1/1	SHEET	1 OF 1

2. DIMENSIONS IN ( ) ARE FOR REFERENCE ONLY.  
 1. REFER TO PRODUCT MANUAL ON NI.COM FOR MORE DETAILS  
 NOTES: UNLESS OTHERWISE SPECIFIED.

4

3

2

1