

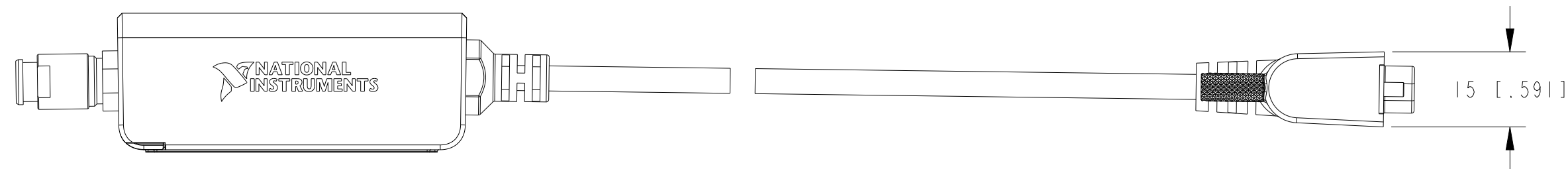
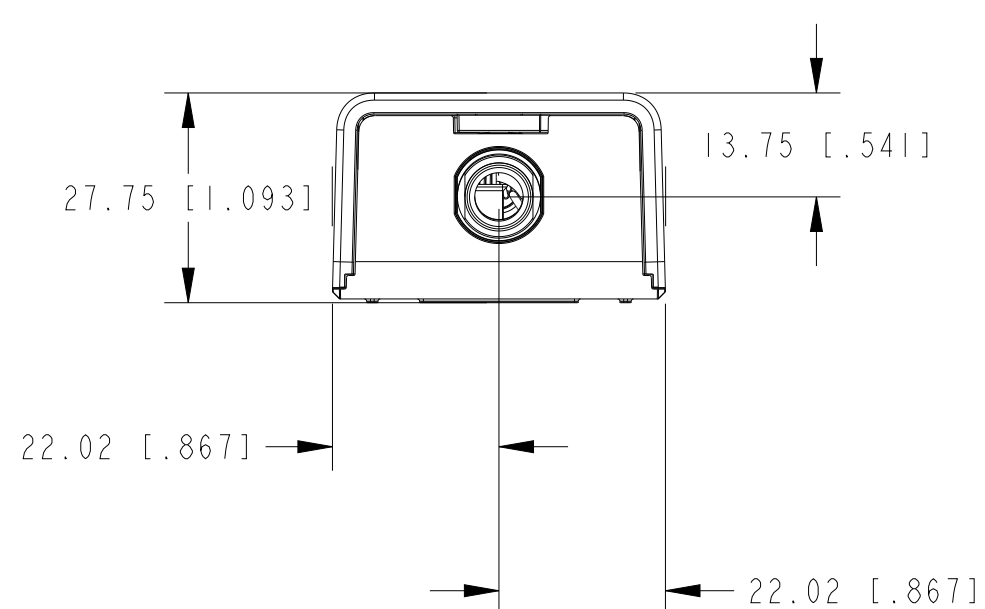
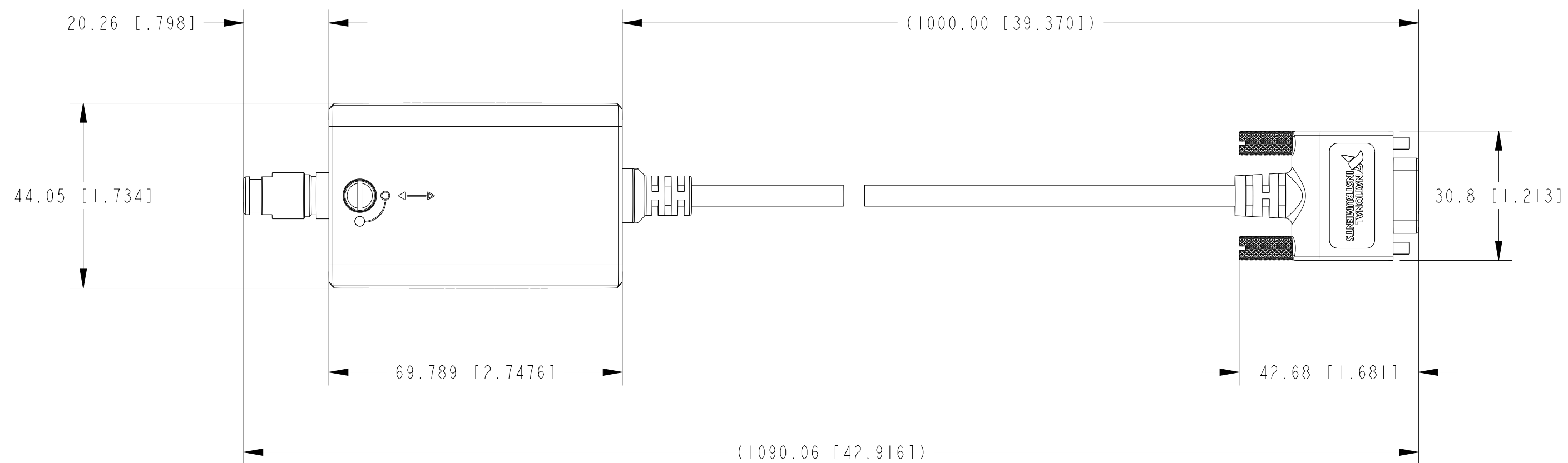
4

3

2

1

COPYRIGHT ©2014 NATIONAL INSTRUMENTS CORPORATION AND ITS LICENSORS. ALL RIGHTS RESERVED.



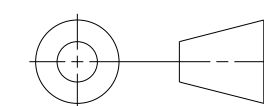
METRIC

CUSTOMER DRAWING

UNLESS OTHERWISE SPECIFIED DIMENSIONS ARE IN INCHES AND [MILLIMETERS].

DO NOT SCALE DRAWING

THIRD ANGLE PROJECTION



AUSTIN, TEXAS

TITLE

NI 998X ADAPTERS

SIZE CODE IDENT NO. MM/DD/YYYY

C7U296

10/6/14

SCALE: 1/1

SHEET 1 OF 1

- 2. DIMENSIONS IN () ARE FOR REFERENCE ONLY.
 - 1. REFER TO PRODUCT MANUAL ON NI.COM FOR MORE DETAILS
- NOTES: UNLESS OTHERWISE SPECIFIED.

4

3

2

1