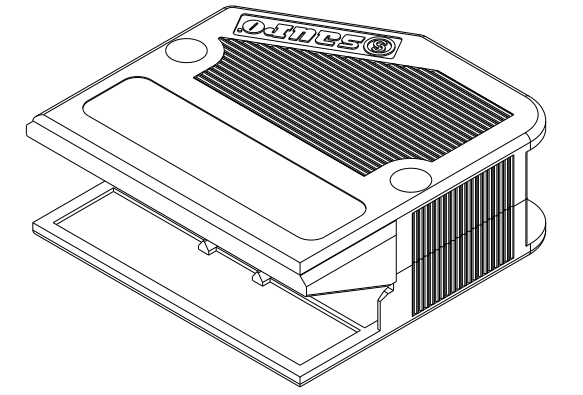
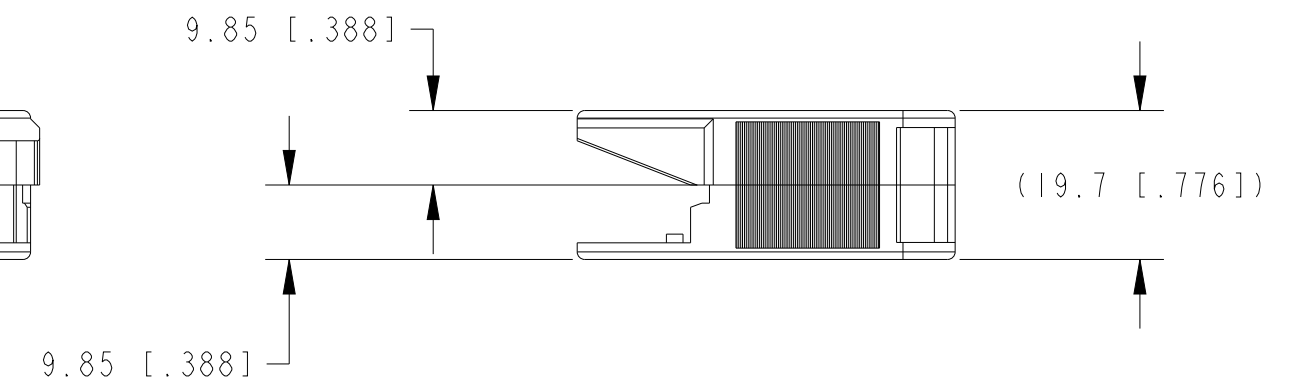
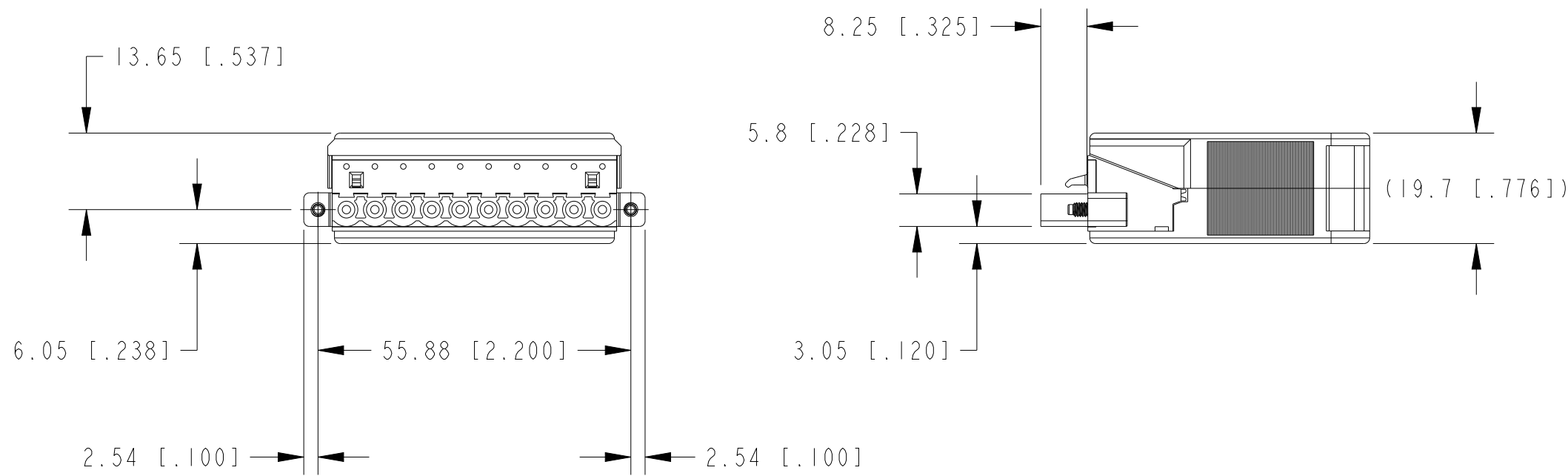
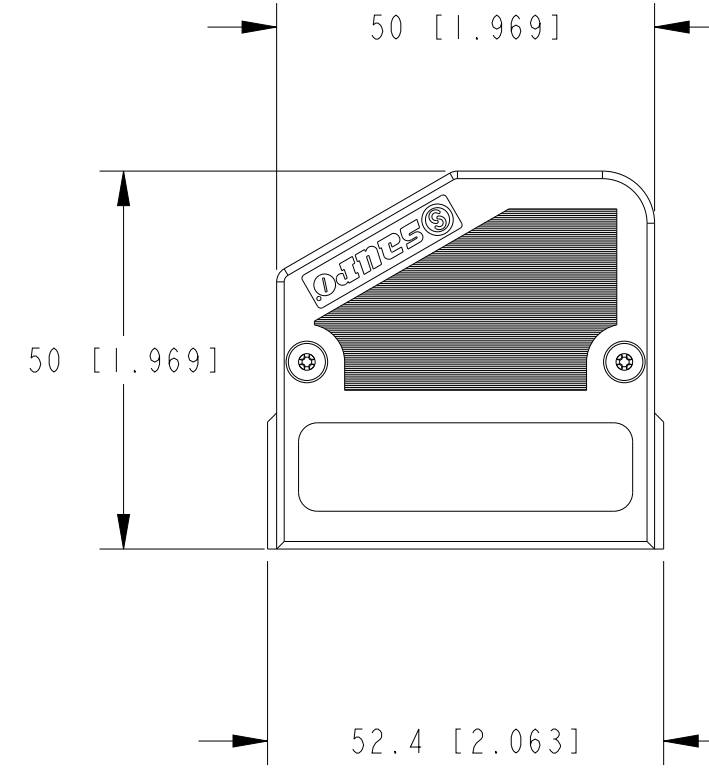
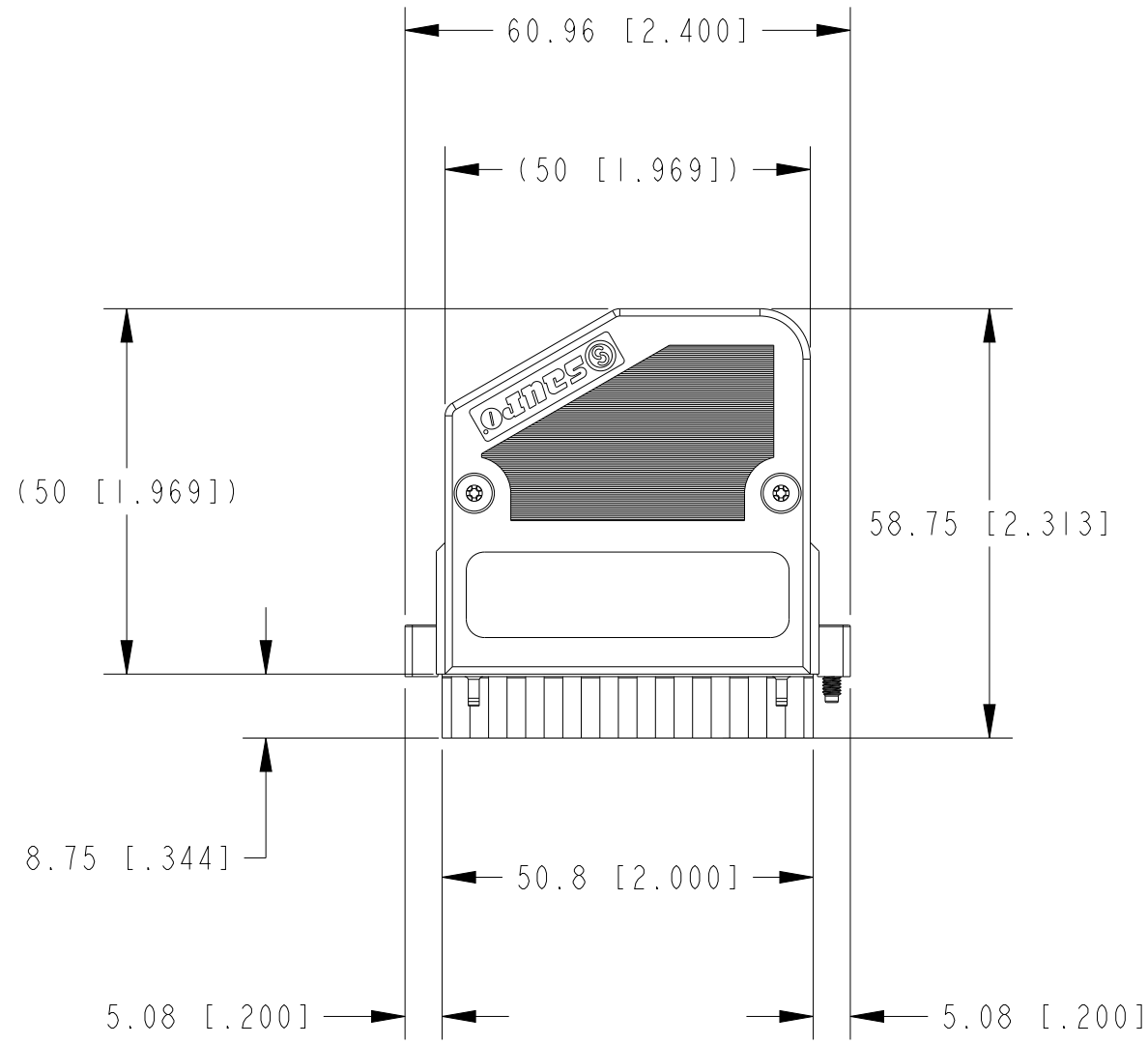


ISOMETRIC VIEW
 SHOWING 10PIN CONNECTOR



ISOMETRIC VIEW
 WITHOUT CONNECTOR

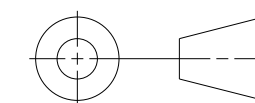


CUSTOMER DRAWING

UNLESS OTHERWISE SPECIFIED
 DIMENSIONS ARE IN INCHES AND
 [MILLIMETERS].

DO NOT SCALE DRAWING

THIRD ANGLE PROJECTION



AUSTIN, TEXAS

TITLE

NI 9981
 STRAIN RELIEF

SIZE CODE IDENT NO. MM/DD/YYYY

C7U296

01/26/2016

SCALE: 1/1

SHEET 1 OF 1

2. DIMENSIONS IN () ARE FOR REFERENCE ONLY.
 1. REFER TO PRODUCT MANUAL ON NI.COM FOR MORE DETAILS
 NOTES: UNLESS OTHERWISE SPECIFIED.