

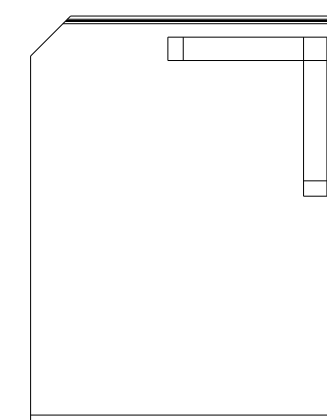
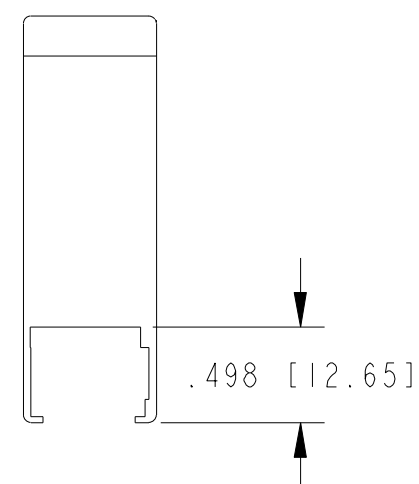
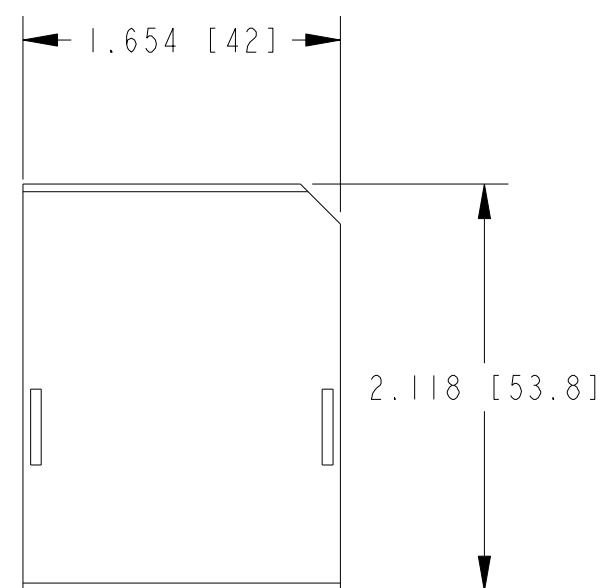
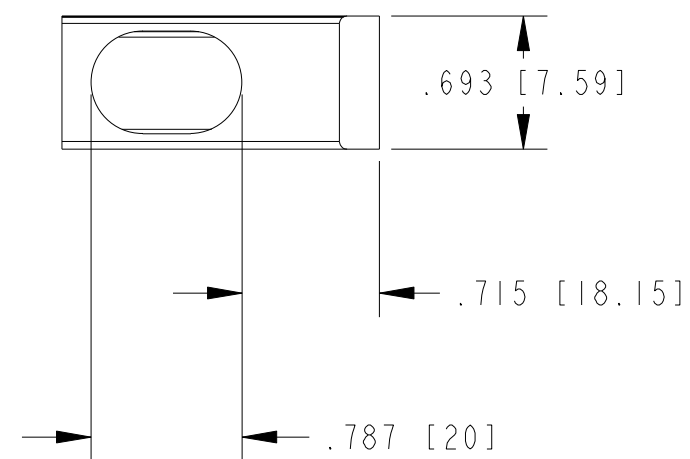
4

3

2

1

COPYRIGHT ©2010
NATIONAL INSTRUMENTS CORPORATION AND ITS LICENSORS. ALL RIGHTS RESERVED.

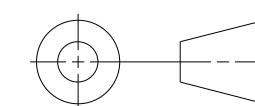


CUSTOMER DRAWING

UNLESS OTHERWISE SPECIFIED
DIMENSIONS ARE IN INCHES AND
[MILLIMETERS].

DO NOT SCALE DRAWING

THIRD ANGLE PROJECTION



AUSTIN, TEXAS

TITLE

NI 9965 BACKSHELL
CUSTOMER DRAWING

SIZE CODE IDENT NO. MM/DD/YYYY

C 7U296

02/25/10

SCALE: 1/1

SHEET 1 OF 1

CD_NI_9965_BACKSHELL

4

3

2

1

D

D

C

C

B

B

A

A