

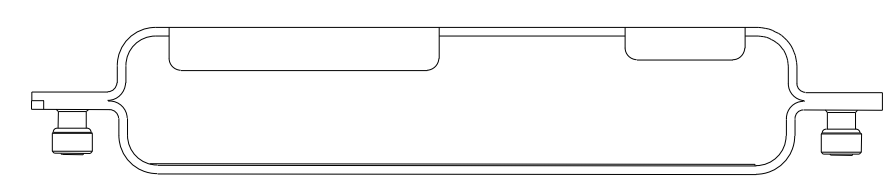
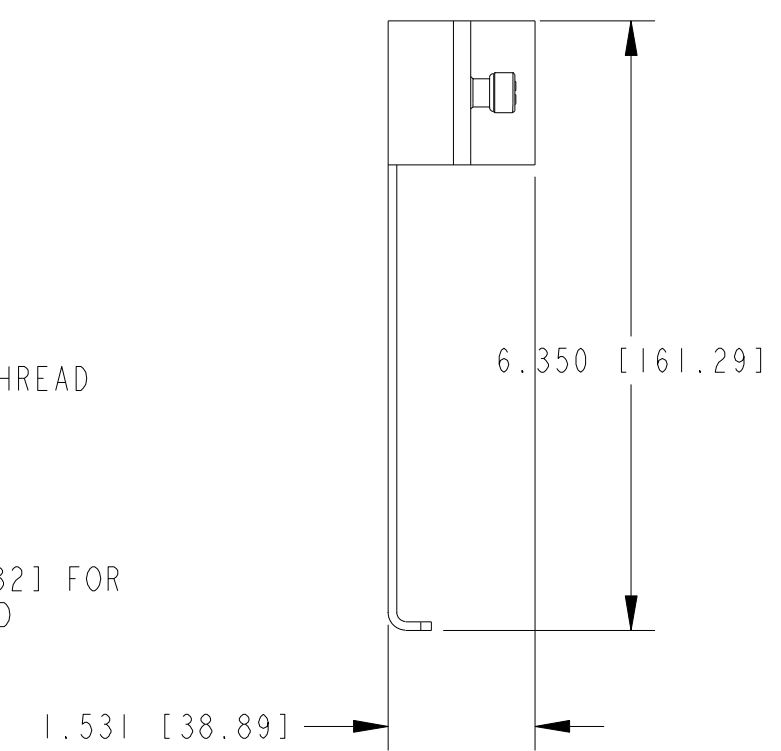
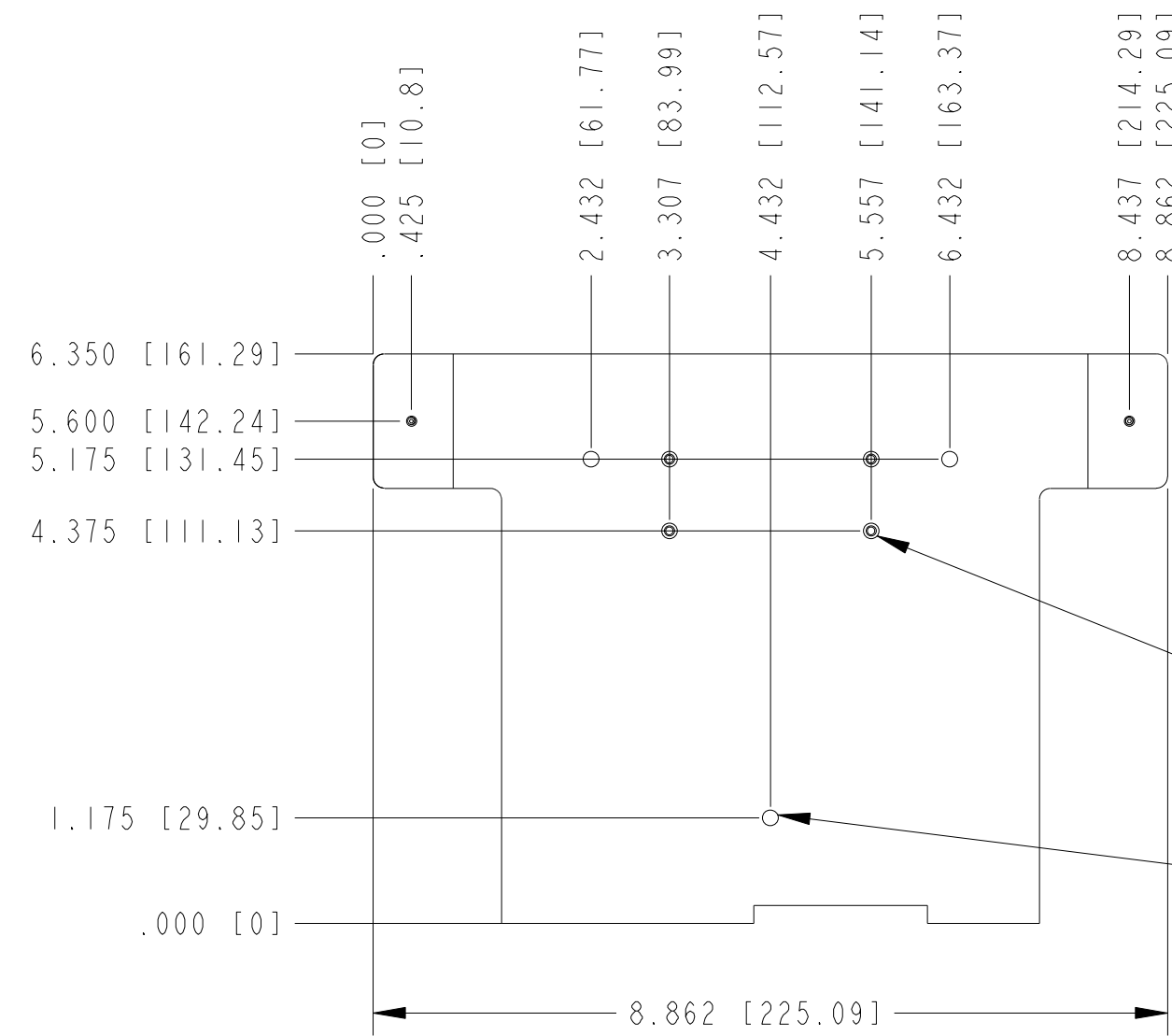
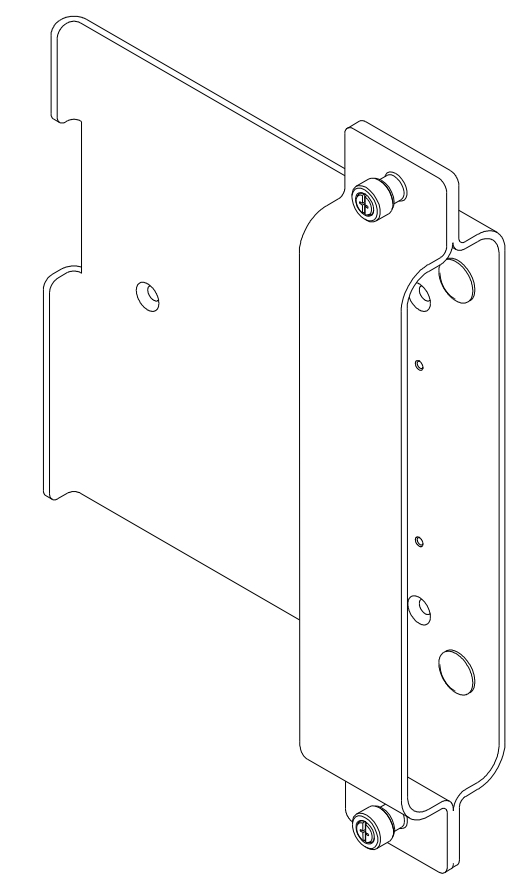
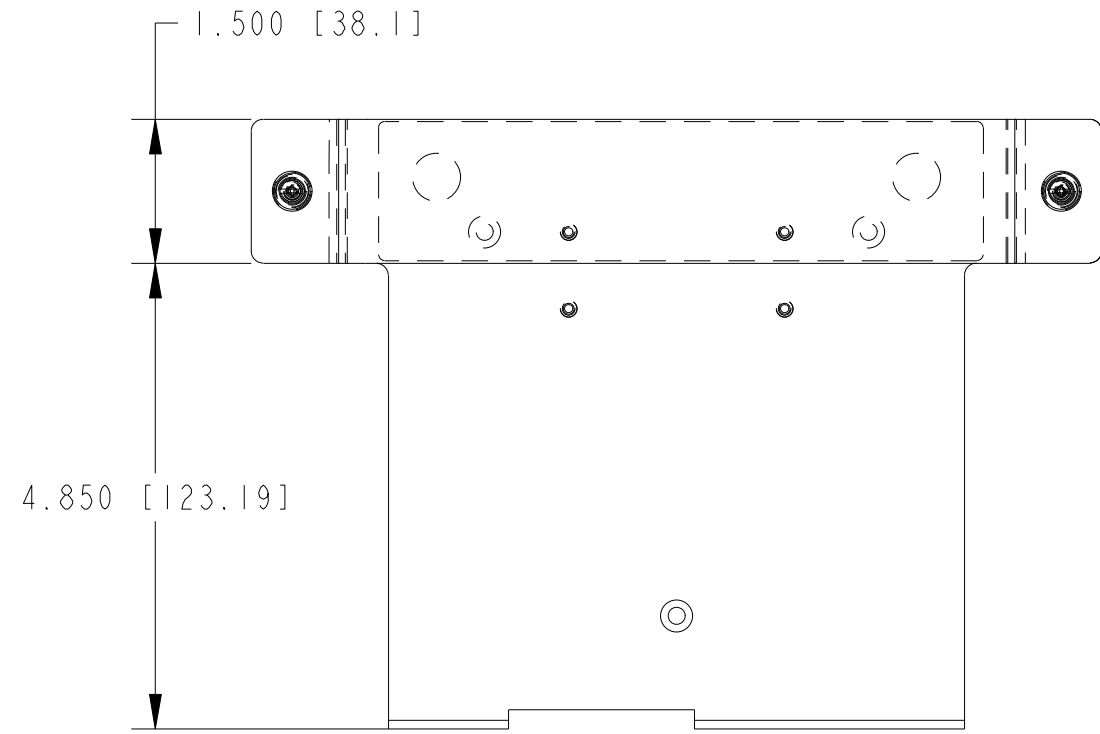
4

3

2

1

COPYRIGHT ©2010 NATIONAL INSTRUMENTS CORPORATION AND ITS LICENSORS. ALL RIGHTS RESERVED.



CUSTOMER DRAWING

UNLESS OTHERWISE SPECIFIED DIMENSIONS ARE IN INCHES AND [MILLIMETERS].

DO NOT SCALE DRAWING

THIRD ANGLE PROJECTION

		AUSTIN, TEXAS	
TITLE			
USB X -SERIES WALL MOUNTING KIT			
SIZE	CODE	IDENT NO.	MM/DD/YYYY
C	7U	296	08/31/10
SCALE:	1/2	SHEET	1 OF 1

4

3

2

1